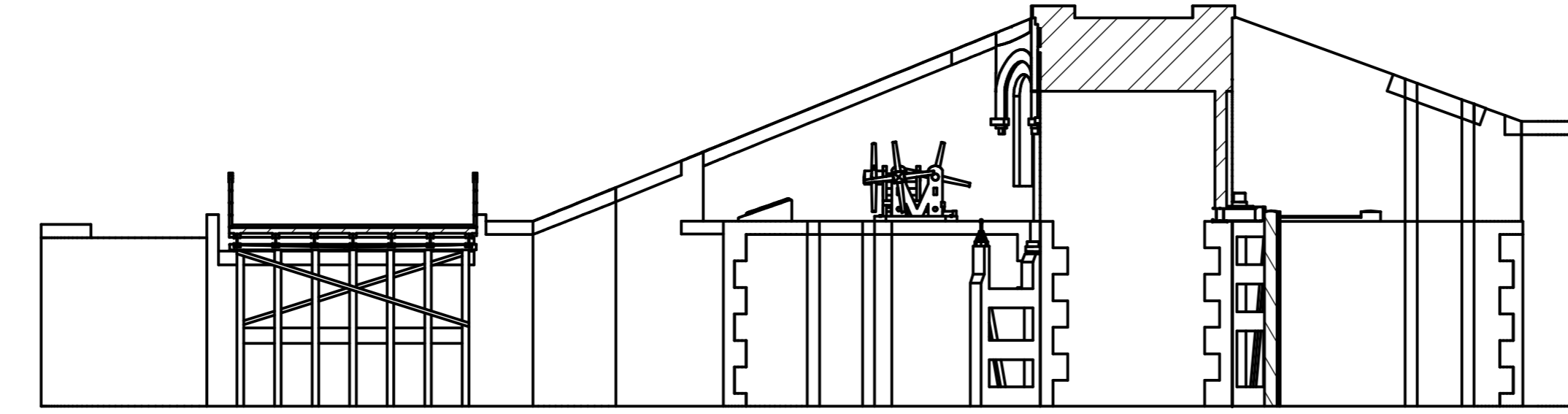
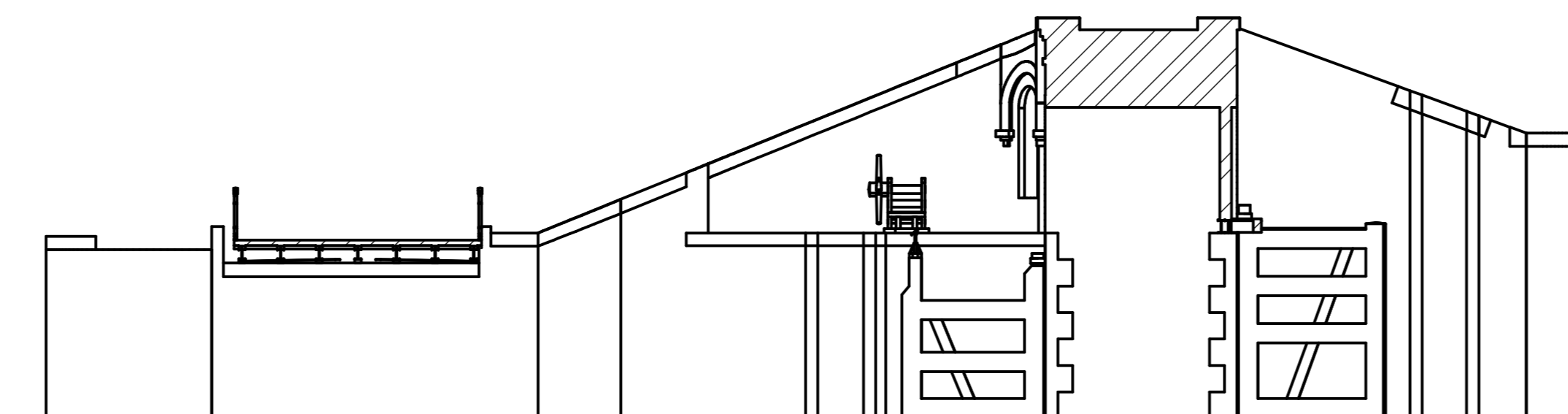
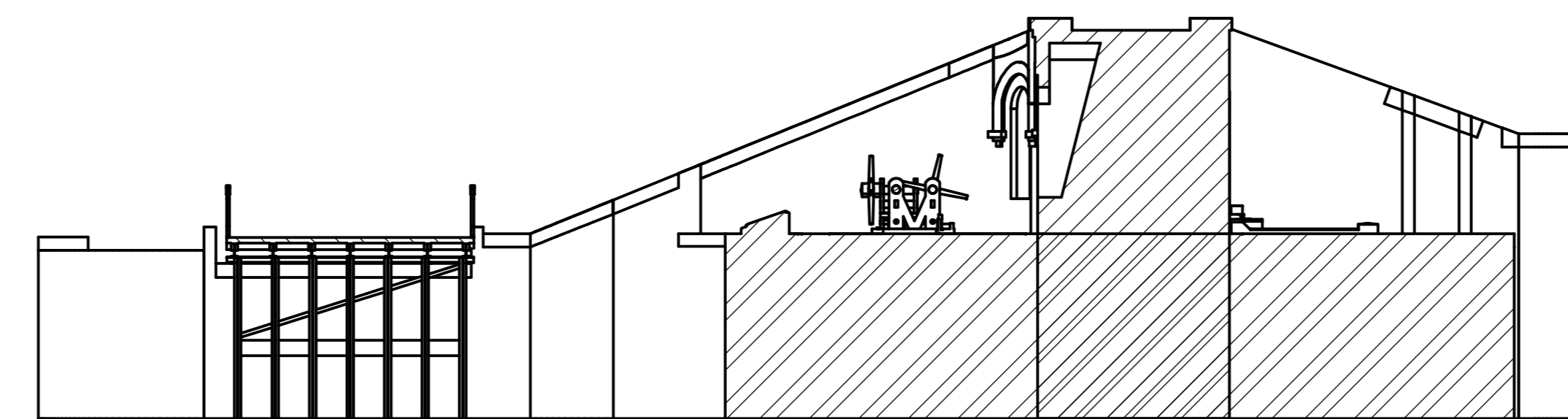


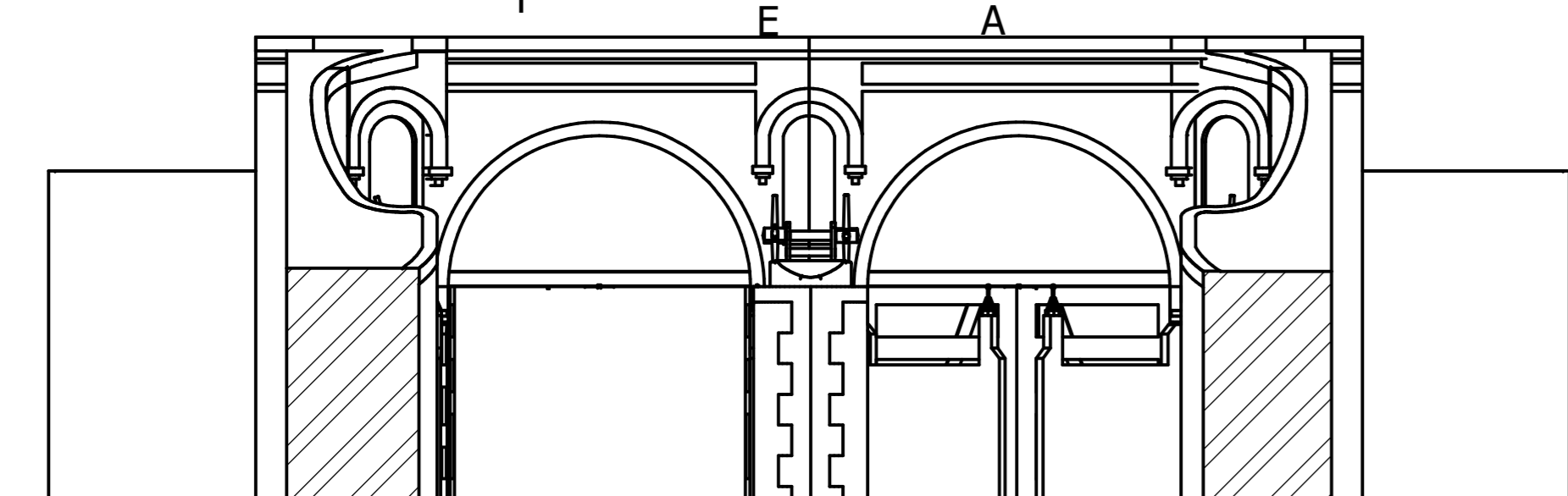
SECTION A-A
SCALE 1 / 100



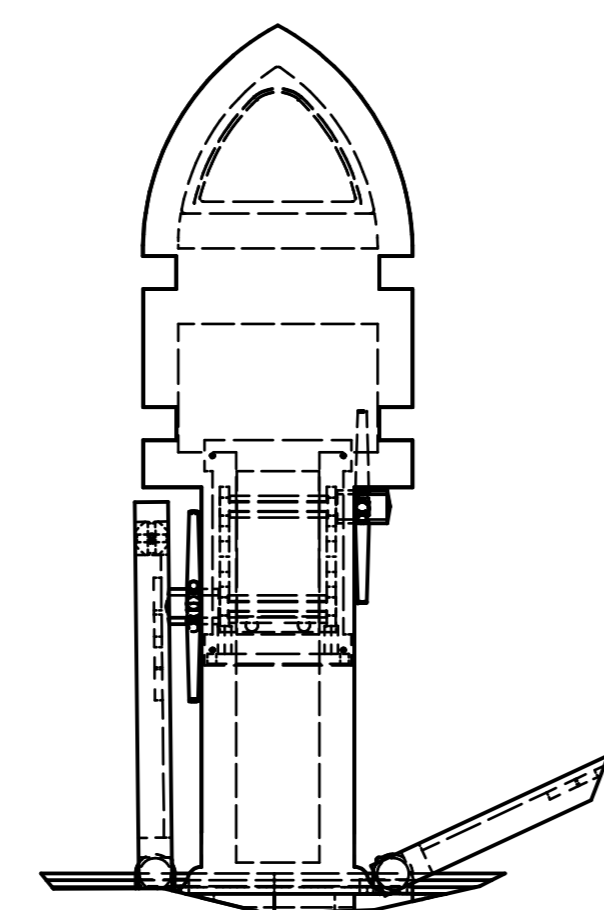
SECTION E-E
SCALE 1 / 100



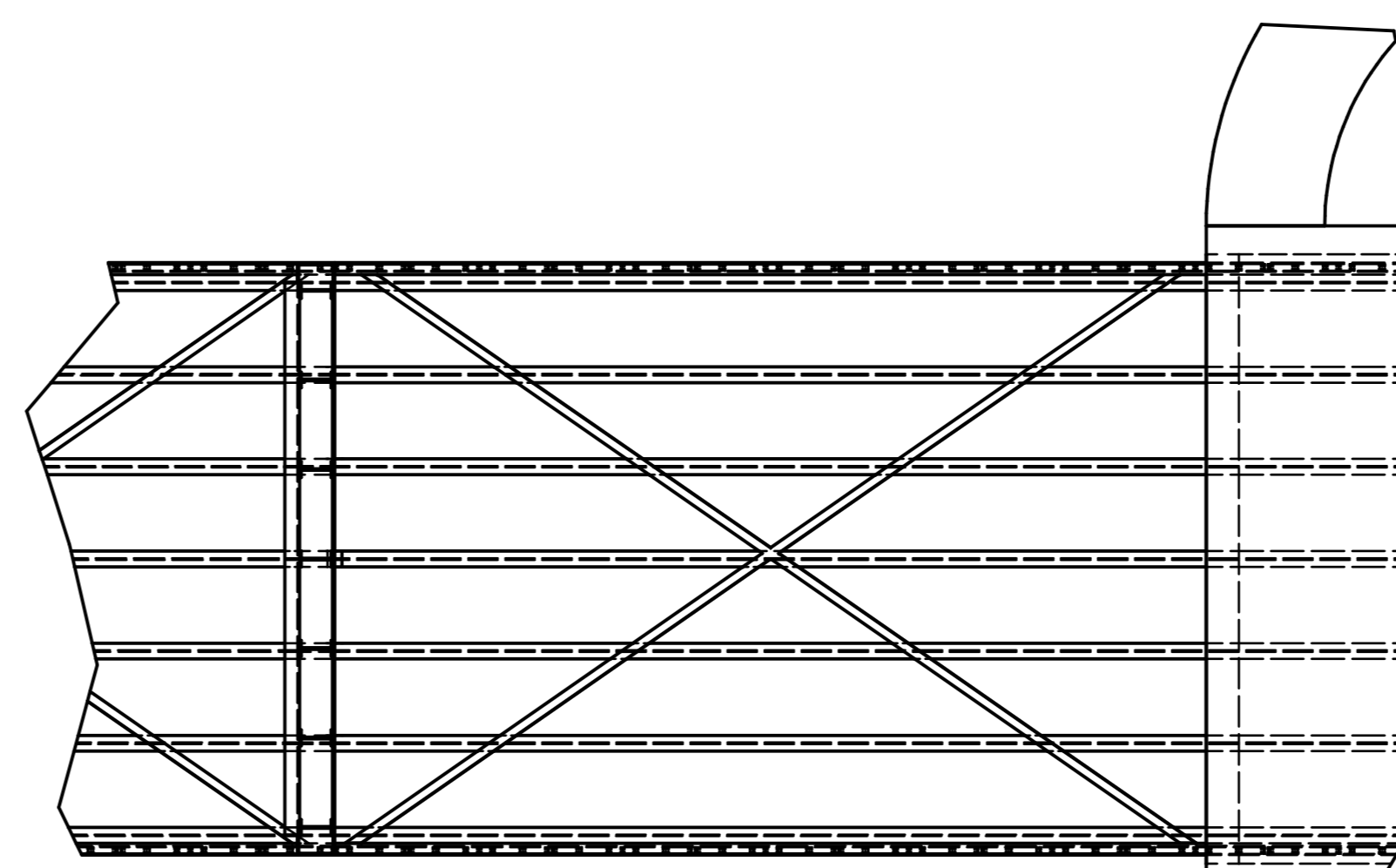
SECTION F-F
SCALE 1 / 100



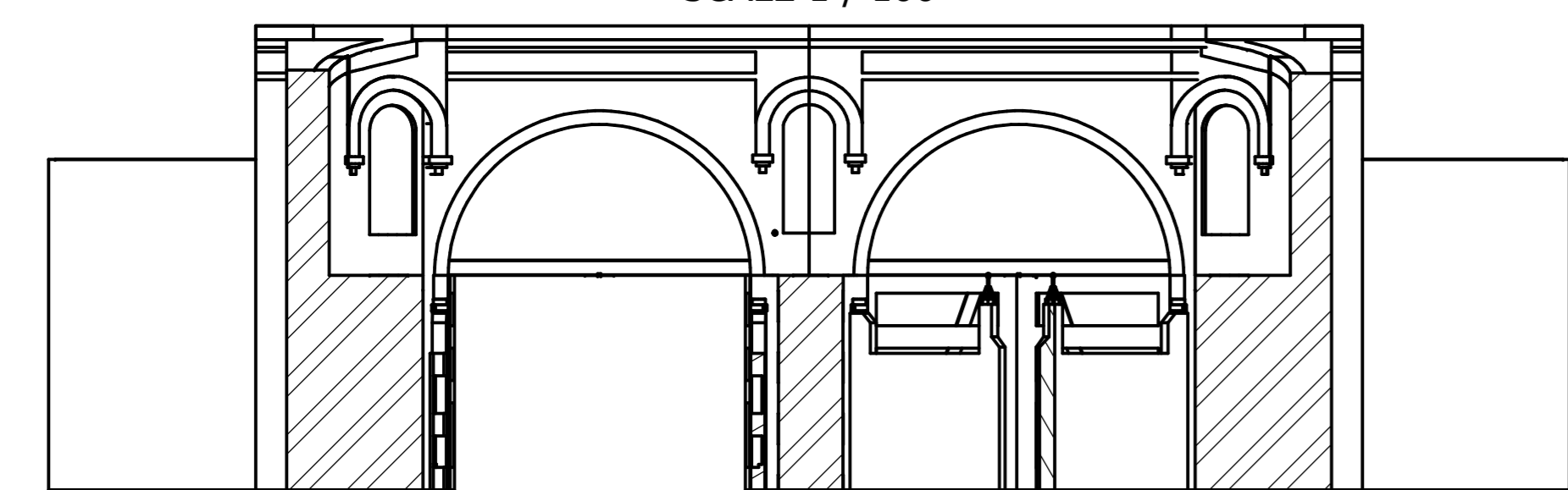
SECTION B-B
SCALE 1 / 100



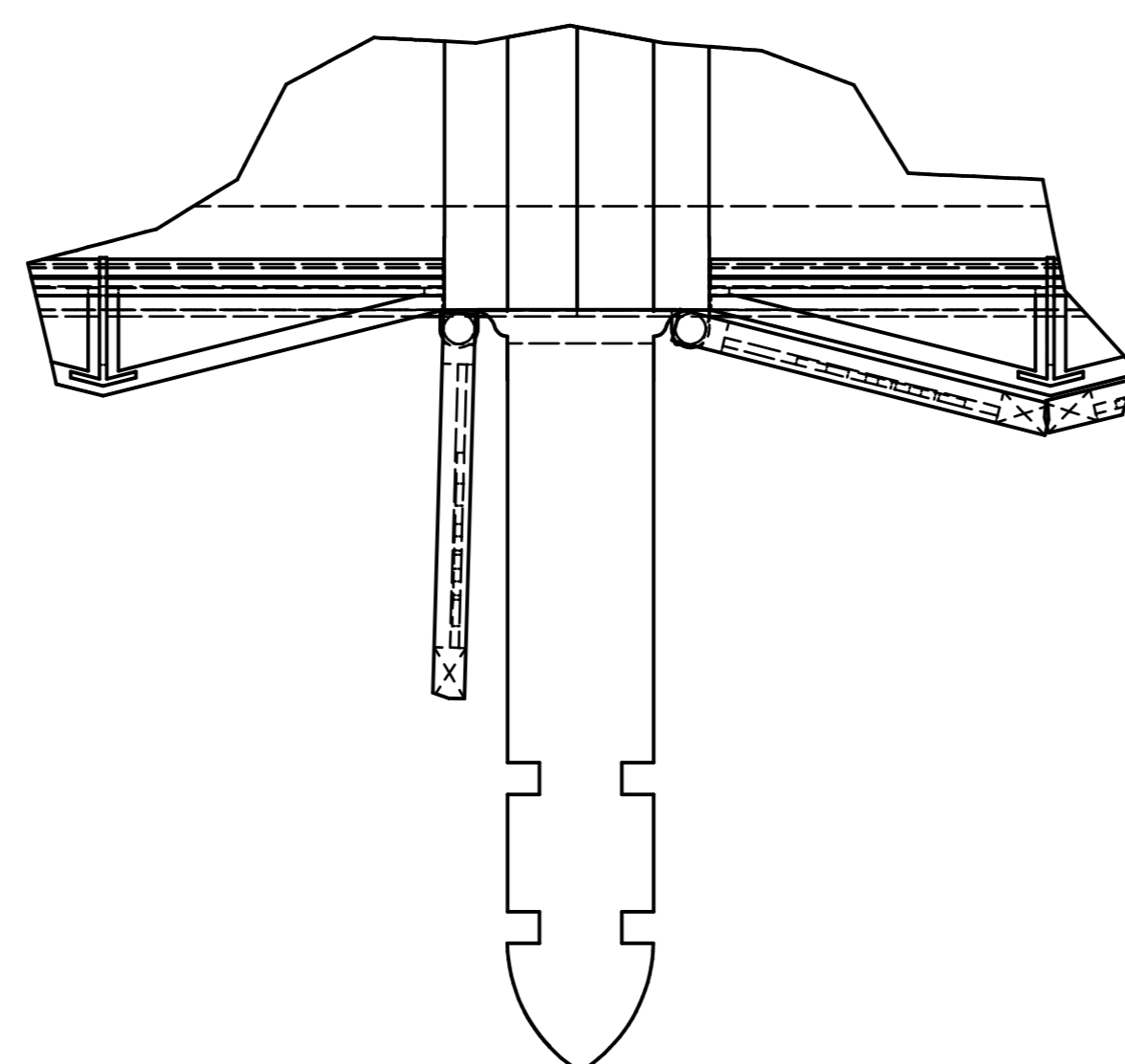
DETAIL G
SCALE 1 / 50



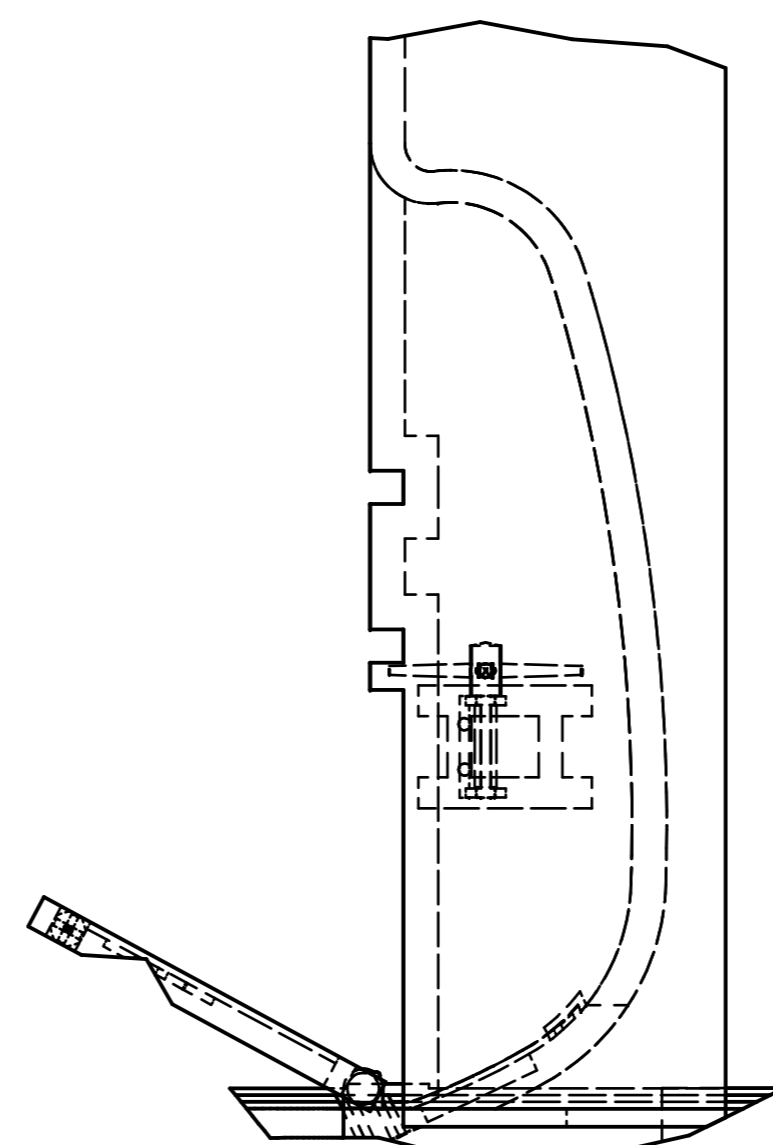
DETAIL L
SCALE 1 / 50



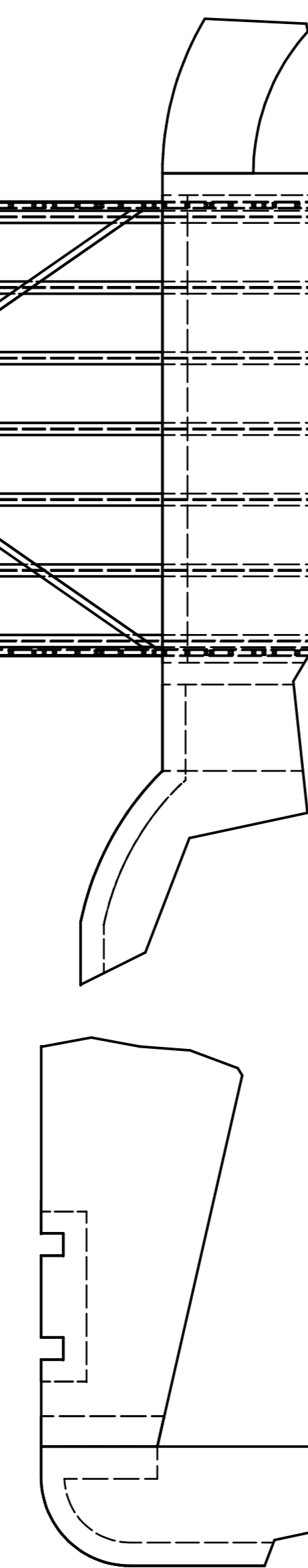
SECTION C-C
SCALE 1 / 100



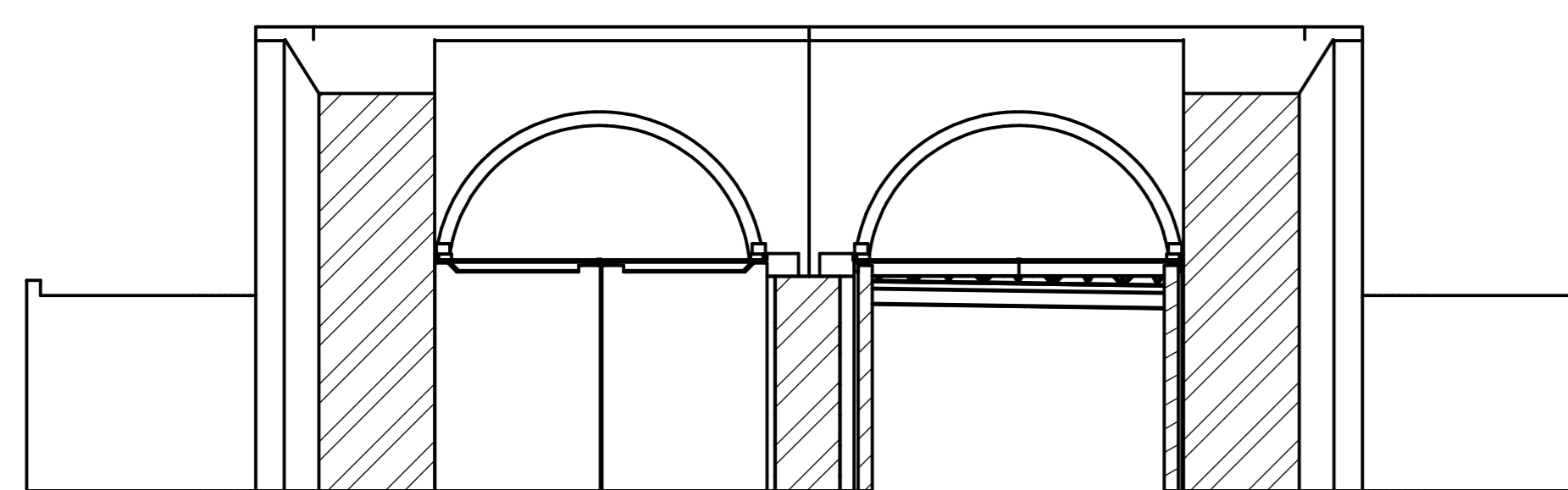
DETAIL J
SCALE 1 / 50



DETAIL H
SCALE 1 / 50



DETAIL K
SCALE 1 / 50



SECTION D-D
SCALE 1 / 100

DRAWN	29-9-2021	EAGM	
CHECKED		TITLE	
QA		121006 Aduardzijd	
MFG		Waterschap Noorderzijlvest	
APPROVED		SIZE	DWG NO
		A0	Oosterzijd overzicht
		SCALE	1 / 100
			SHEET 1 OF 1