

Dish	Type (11 mm)	DCH (m)	Type Dish	Support No.
TMO D1	RG214	22.38	Ø300	-

N: 52.079682
E: 5.489063

TMO site L000234

LEGEND		
Color	Reference	Color (code)
	Gebouw	Black (9)
	Bestaande apparatuur	Black (7)
	Nieuwe uitrusting	Red (240)
	Bestaande aarding	Black (170)
	Nieuwe aarding	Green (90)
	Bestaande V&G	Black (210)
	Nieuwe V&G	Orange (30)
	Nieuwe V&G	Black (2)
	nieuw gebouw	Blue (150)
	Optioneel item	Grey (252)

Sheet nr.	Title
1	VOOR PAGINA
2	GEBOUW OPMERKINGEN
3	RF PLAN
4	BESTAANDE BOVENAANZICHT
5	BESTAANDE VOORAANZICHT
6	NIEUW BOVENAANZICHT
7	NIEUW VOORAANZICHT
8	H&S BOVENAANZICHT
9	H&S VOORAANZICHT
10	UITRUSTING UITZICHT
11	OVERZICHT PAAL 1/2/3
12	MUUR BEUGEL
13	4-RRU BEUGEL
14	4-RRU BEUGEL & DIPLEXER BEUGEL
15	AANPASSEN BEUGEL
16	ITEMS LIST

1.2	EP	5G-Ready	HF	10-03-2022	Dynamica	TMNL	
1.1	EP	5G-Ready	HF	27-01-2022	Dynamica	TMNL	
1.0	EP	5G-Ready	MB	18-10-2019	Dynamica	TMNL	
Rev. no.	Status	Revision description		Name	Date	Contractor	Telco
Title: VOOR PAGINA				Standard detail: -			
		Date	Name/Company	Scale	Status:	EP	
Drawn by:		18-10-2019	MB/Dynamica	N/A	Project name:	5G-Ready	
Checked by:		-	Dynamica	Rev.No.	Project no.T:	N.000234.020	
				1.2	Sheet no.:	1 / 16	
		Location adress: Kerkplein 191 3925 KV Scherpenzeel (GD)			Location ID: T-Mobile: L000234 Tele 2: 00000		A3
						Projection 	

Questions for BOUW company

1) Notes/questions for BOUW company

2) Company Contact details :

Company name : Dynamica ingenieursbureau
 Address : Kwekerijweg 2-C, 3709 JA Zeist
 E-Mail : info@ibdynamica.nl
 Phone number : 0031303079620


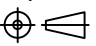


Dynamica ingenieursbureau is opgenomen in het Constructeursregister.
 Het Constructeursregister. RC/RO/RT is een organisatie die de kwaliteit van constructeurs en constructieve toetsers bewaakt en de deskundigheid bevordert.

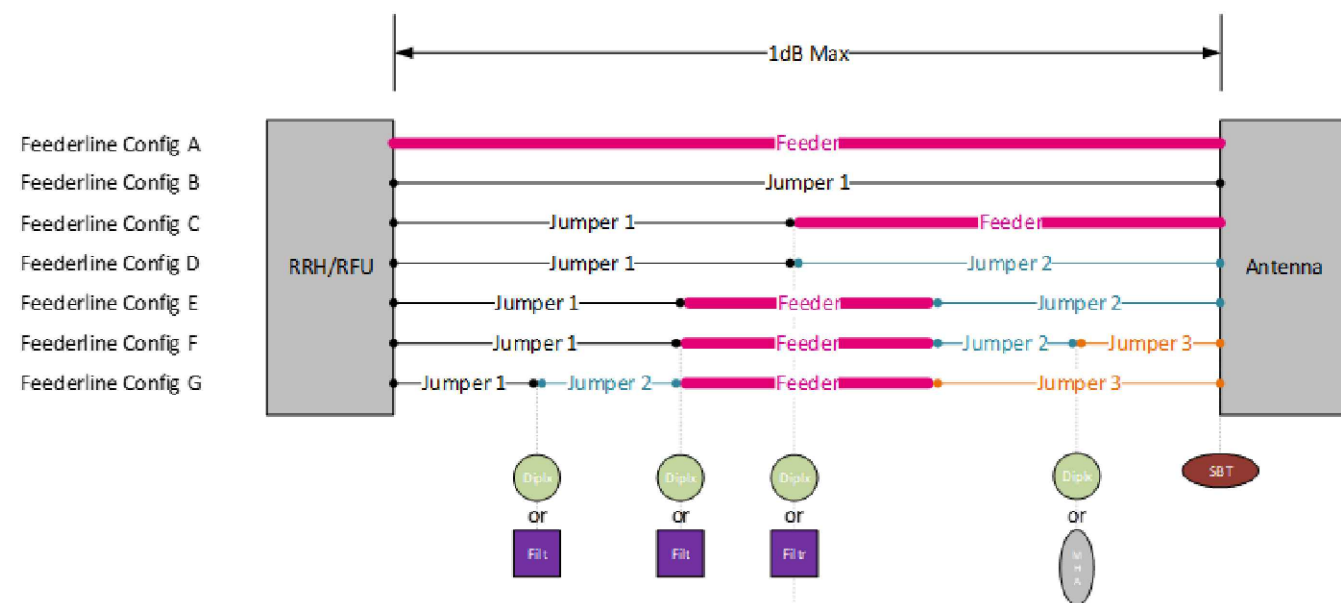
Notes for AAS build.

For all detailed installerenerenerenation and commissioning requirements refer to the T-Mobile Solutions Portal:
<https://t-share.nl/groups/104-t-mobile-solutions-portal/welcome>

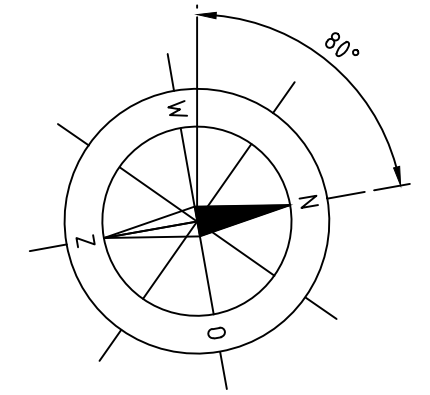
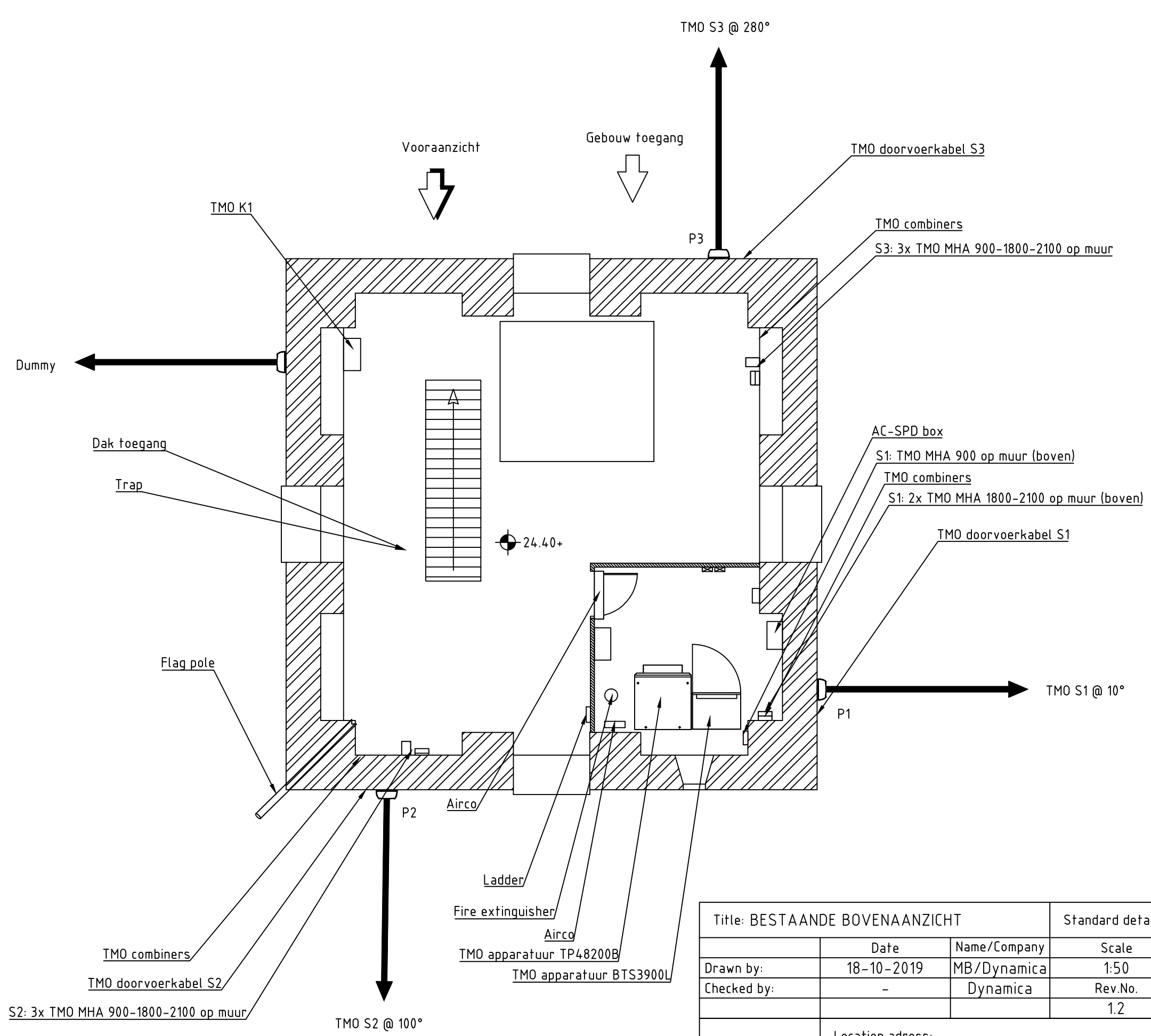
1) RF configuration shall be installerenerenerened according to RF plan .

Title: GEBOUW OPMERKINGEN			Standard detail: -		
	Date	Name/Company	Scale	Status:	EP
Drawn by:	18-10-2019	MB/Dynamica	N/A	Project name:	5G-Ready
Checked by:	-	Dynamica	Rev.No.	Project no.T:	N.000234.020
			1.2	Sheet no.:	2 / 16
	Location adress: Kerkplein 191 3925 KV Scherpenzeel (GD)			Location ID:	A3
				T-Mobile: L000234	Projection
			Tele 2: 00000		

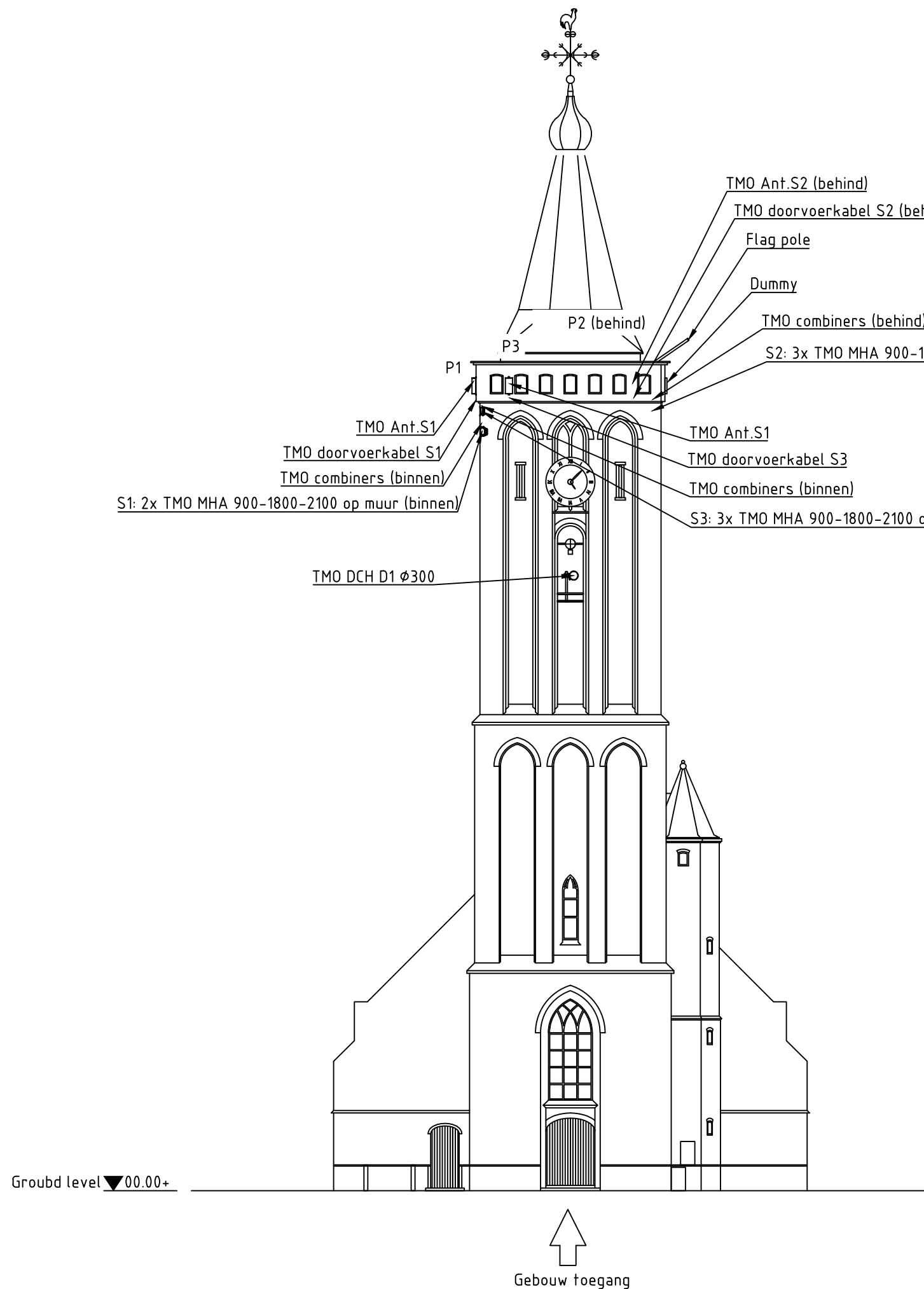
Sector TMNL	Sector T2	Band	Fiber & DC Length	RRU/RFU/AAU	Jumper 1	Feeder		Jumper 2	Jumper 3	Jumper 4	MHA	SBT	Diplexer / Combiner	Filter	Attenuation	Antenna Type	Pole #	ABH	Azimuth	REU	M Tilt	E Tilt	
						Type	Length																
1		700/800/900	10	RRU	5.50 LF	n/a	0	n/a	n/a	n/a	n/a		n/a		0,425	80010715	1	29	10				
1		700/800/900	10	RRU	5.50 LF	n/a	0	n/a	n/a	n/a	n/a		n/a		0,425	80010715	1	29	10				
1		1800		RFU	3.00 LF	7/8"	6	0.50 SF	4.00 LF	n/a	Yes		n/a		1,849	80010715	1	29	10				
1		1800		RFU	3.00 LF	7/8"	6	0.50 SF	4.00 LF	n/a	Yes		n/a		1,849	80010715	1	29	10				
1		2100		RFU	3.00 LF	7/8"	6	0.50 SF	4.00 LF	n/a	Yes	n/a			1,985	80010715	1	29	10				
1		2600 TDD	10	RRU	5.50 LF	n/a	0	n/a	n/a	n/a	n/a		n/a		0,752	80010715	1	29	10				
1		2600 FDD			n/a	n/a	0	n/a	n/a	n/a	n/a		n/a		0								
2		700/800/900	15	RRU	5.50 LF	n/a	0	n/a	n/a	n/a	n/a		n/a		0,425	80010715	2	29	100				
2		700/800/900	15	RRU	5.50 LF	n/a	0	n/a	n/a	n/a	n/a		n/a		0,425	80010715	2	29	100				
2		1800		RFU	3.00 LF	7/8"	6	1.00 LF	1.00 LF	n/a	Yes		n/a		1,56	80010715	2	29	100				
2		1800			n/a	n/a	0	n/a	n/a	n/a	n/a		n/a		0								
2		2100		RFU	2.00 SF	7/8"	6	1.00 LF	1.00 LF	n/a	Yes	n/a			1,67	80010715	2	29	100				
2		2600 TDD	15	RRU	5.50 LF	n/a	0	n/a	n/a	n/a	n/a		n/a		0,752	80010715	2	29	100				
2		2600 FDD	15	RRU	5.50 LF	n/a	0	n/a	n/a	n/a	n/a		n/a		0,752	80010715	2	29	100				
3		700/800/900	20	RRU	5.50 LF	n/a	0	n/a	n/a	n/a	n/a		n/a		0,425	80010715	3	29	280				
3		700/800/900	20	RRU	5.50 LF	n/a	0	n/a	n/a	n/a	n/a		n/a		0,425	80010715	3	29	280				
3		1800		RFU	3.00 LF	7/8"	6	1.00 LF	1.00 LF	n/a	Yes		n/a		1,56	80010715	3	29	280				
3		1800			n/a	n/a	0	n/a	n/a	n/a	n/a		n/a		0								
3		2100		RFU	2.00 LF	7/8"	6	1.00 LF	1.00 LF	n/a	Yes	n/a			1,56	80010715	3	29	280				
3		2600 TDD	20	RRU	5.50 LF	n/a	0	n/a	n/a	n/a	n/a		n/a		0,752	80010715	3	29	280				
3		2600 FDD	20	RRU	5.50 LF	n/a	0	n/a	n/a	n/a	n/a		n/a		0,752	80010715	3	29	280				



Title: RF PLAN		Standard detail: -			
Drawn by:	Date	Name/Company	Scale	Status:	EP
Checked by:	18-10-2019	MB/Dynamica	N/A	Project name:	5G-Ready
	-	Dynamica	Rev.No.	Project no.T:	N.000234.020
			1.2	Sheet no.:	3 / 16
	Location adress:			Location ID:	A3
	Kerkplein 191 3925 KV Scherpenzeel (GD)			T-Mobile: L000234	Projection
				Tele 2: 00000	


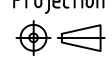


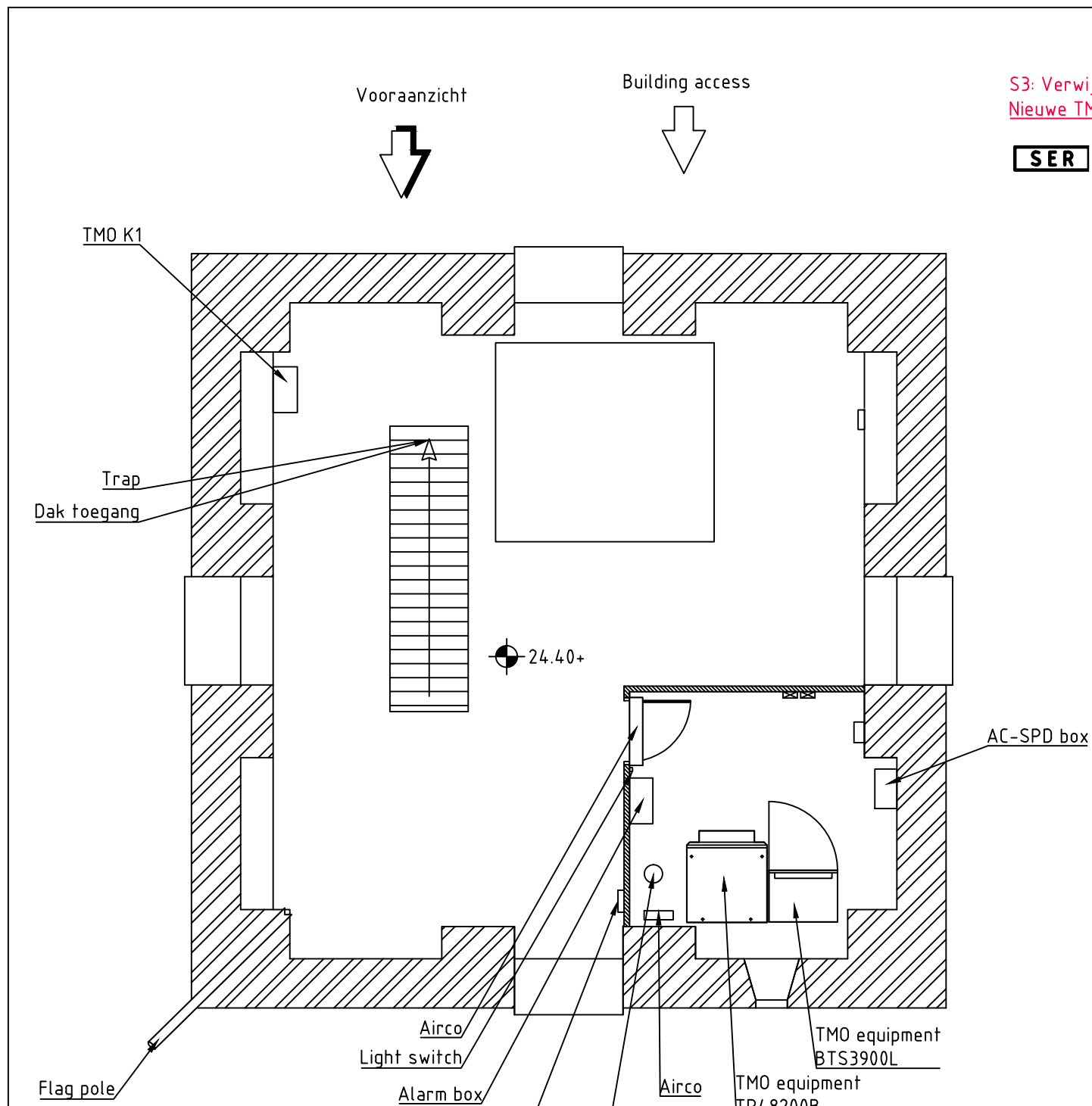
Title: BESTAANDE BOVENAANZICHT		Standard detail: -			
Drawn by:	Date	Name/Company	Scale	Status:	EP
Checked by:	18-10-2019	MB/Dynamica	1:50	Project name:	5G-Ready
	-	Dynamica	Rev.No.	Project no.T:	N.000234.020
			1.2	Sheet no.:	4 / 16
	Location adress:			Location ID:	A3
	Kerkplein 191			T-Mobile: L000234	Projection
	3925 KV Scherpenzeel (GD)			Tele 2: 00000	



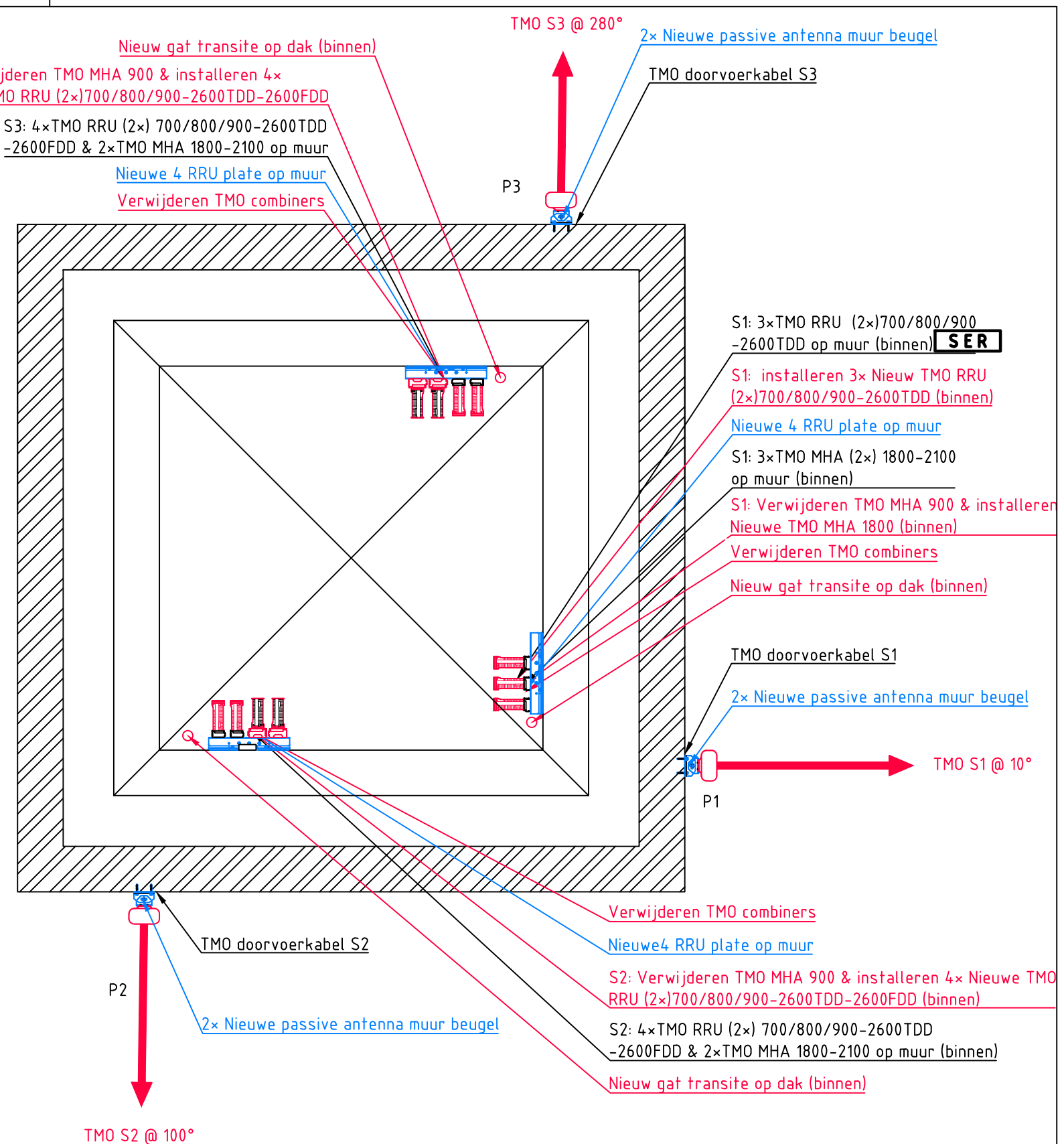
ABH TMO S1/S2/S3 900-1800-2100 ▼29.00+

TMO DCH D1 ▼22.38+

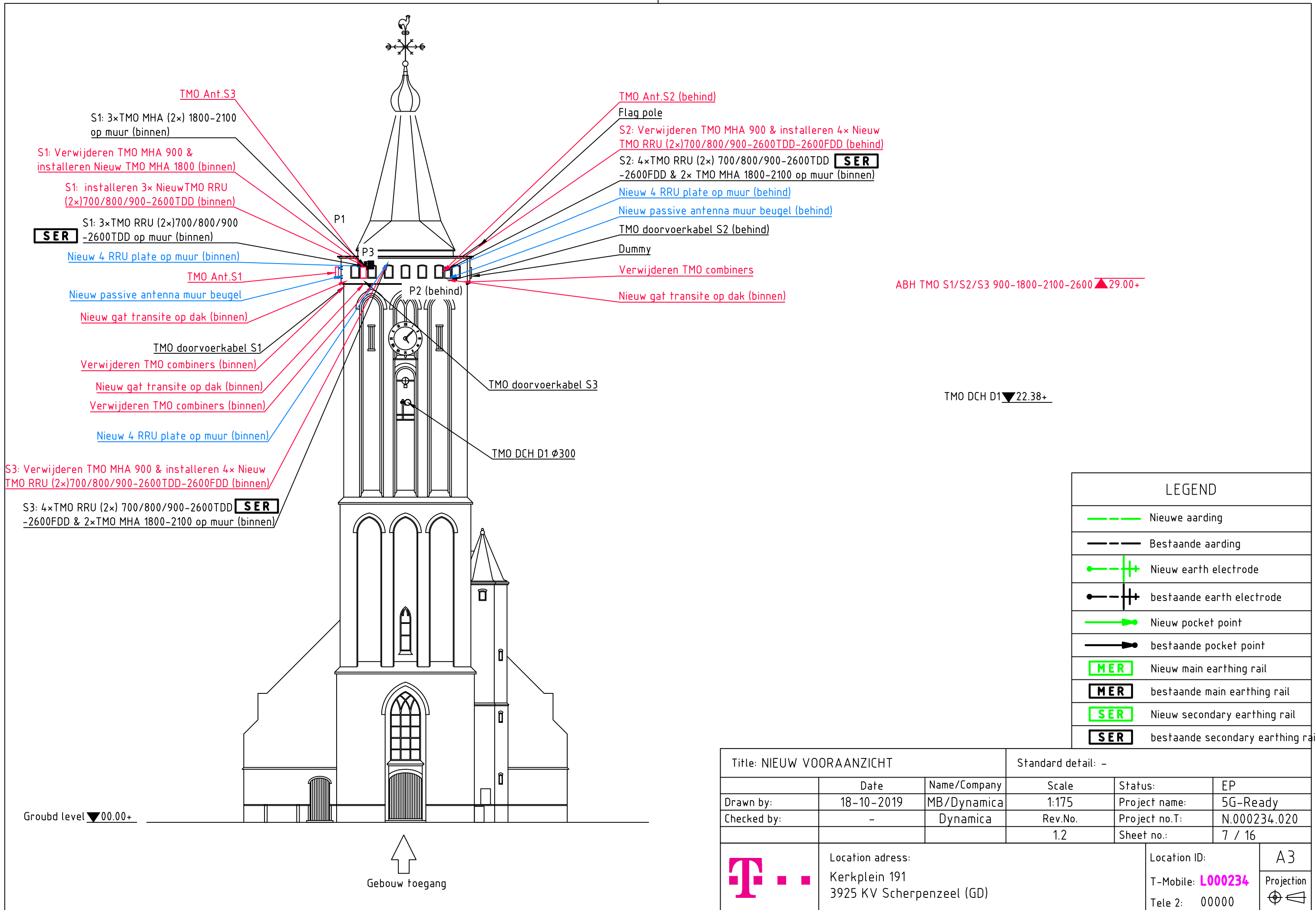
Title: BESTAANDE VOORAANZICHT			Standard detail: -		
Drawn by:	Date	Name/Company	Scale	Status:	EP
Checked by:	18-10-2019	MB/Dynamica	1:175	Project name:	5G-Ready
	-	Dynamica	Rev.No.	Project no.T:	N.000234.020
			1.2	Sheet no.:	5 / 16
	Location adress:			Location ID:	A3
	Kerkplein 191 3925 KV Scherpenzeel (GD)			T-Mobile: L000234	Projection
				Tele 2: 00000	



LEGEND	
	Nieuwe aarding
	Bestaande aarding
	Nieuw earth electrode
	bestaande earth electrode
	Nieuw pocket point
	bestaande pocket point
	Nieuw main earthing rail
	bestaande main earthing rail
	Nieuw secondary earthing rail
	bestaande secondary earthing rail

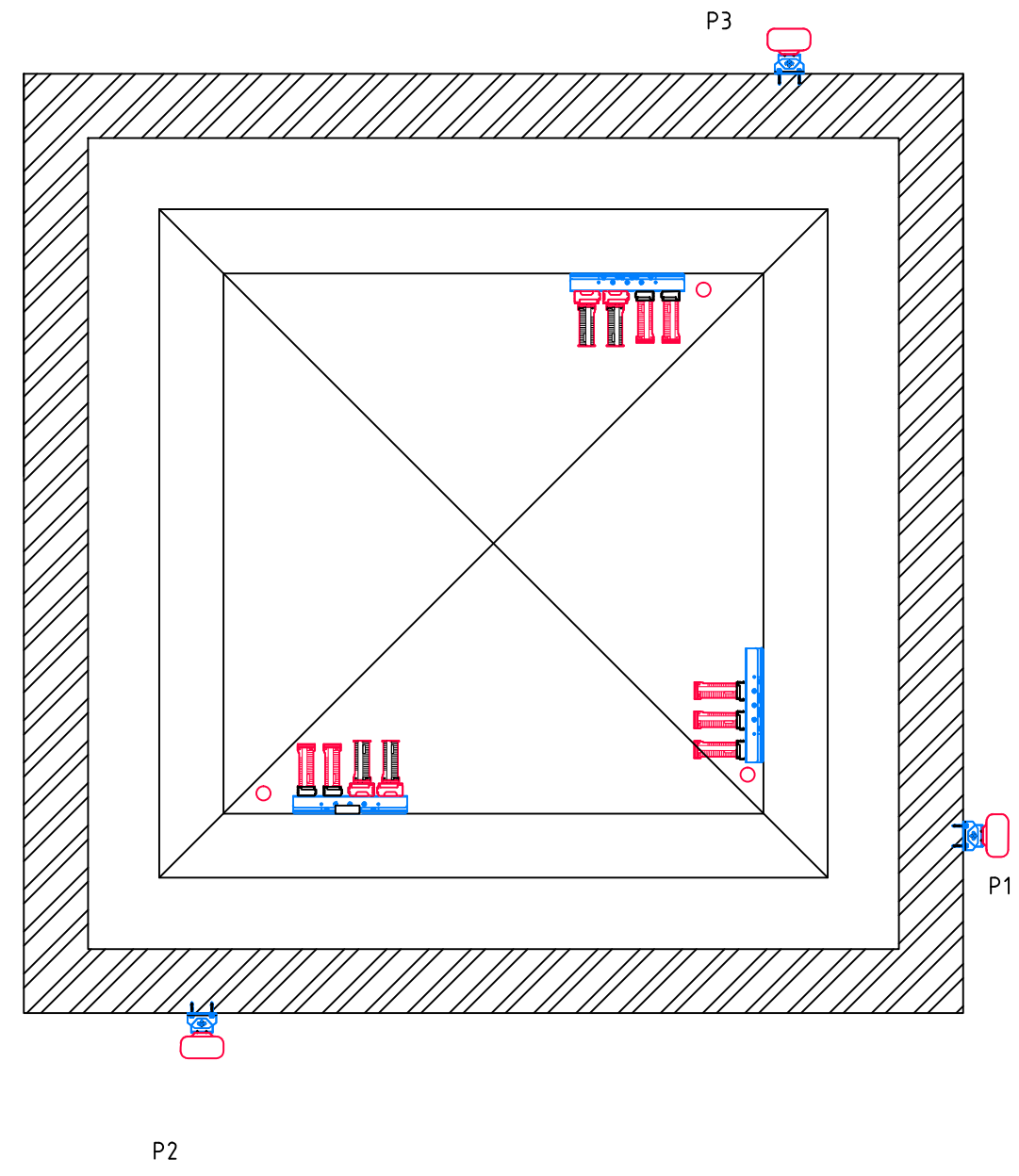
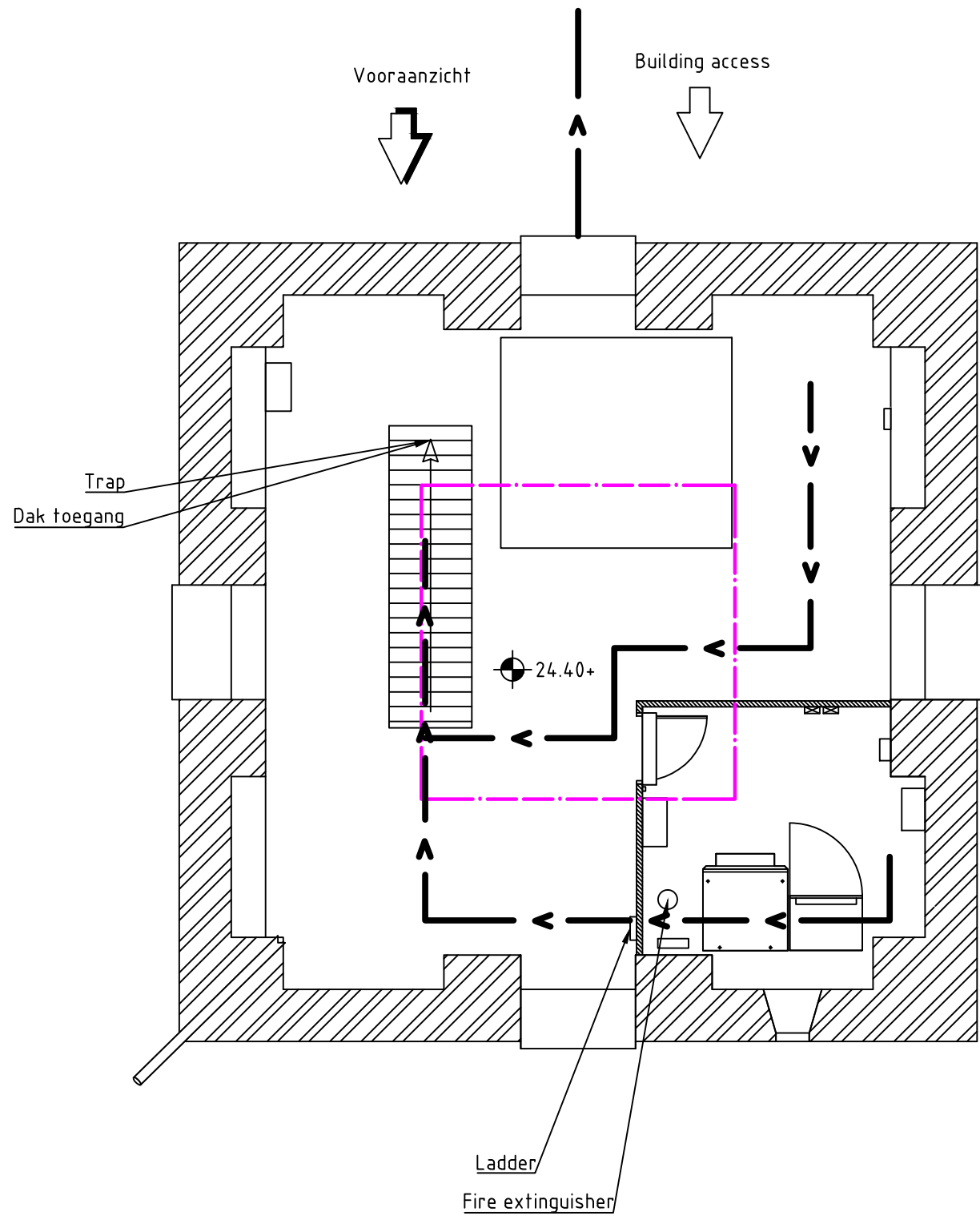


Title: NIEUW BOVENAANZICHT		Standard detail: -			
Drawn by:	Date	Name/Company	Scale	Status:	EP
Checked by:	18-10-2019	MB/Dynamica	1:50	Project name:	5G-Ready
	-	Dynamica	Rev.No.	Project no.T:	N.000234.020
			1.2	Sheet no.:	6 / 16
	Location adress:			Location ID:	A3
	Kerkplein 191 3925 KV Scherpenzeel (GD)			T-Mobile: L000234	Projection
				Tele 2: 00000	



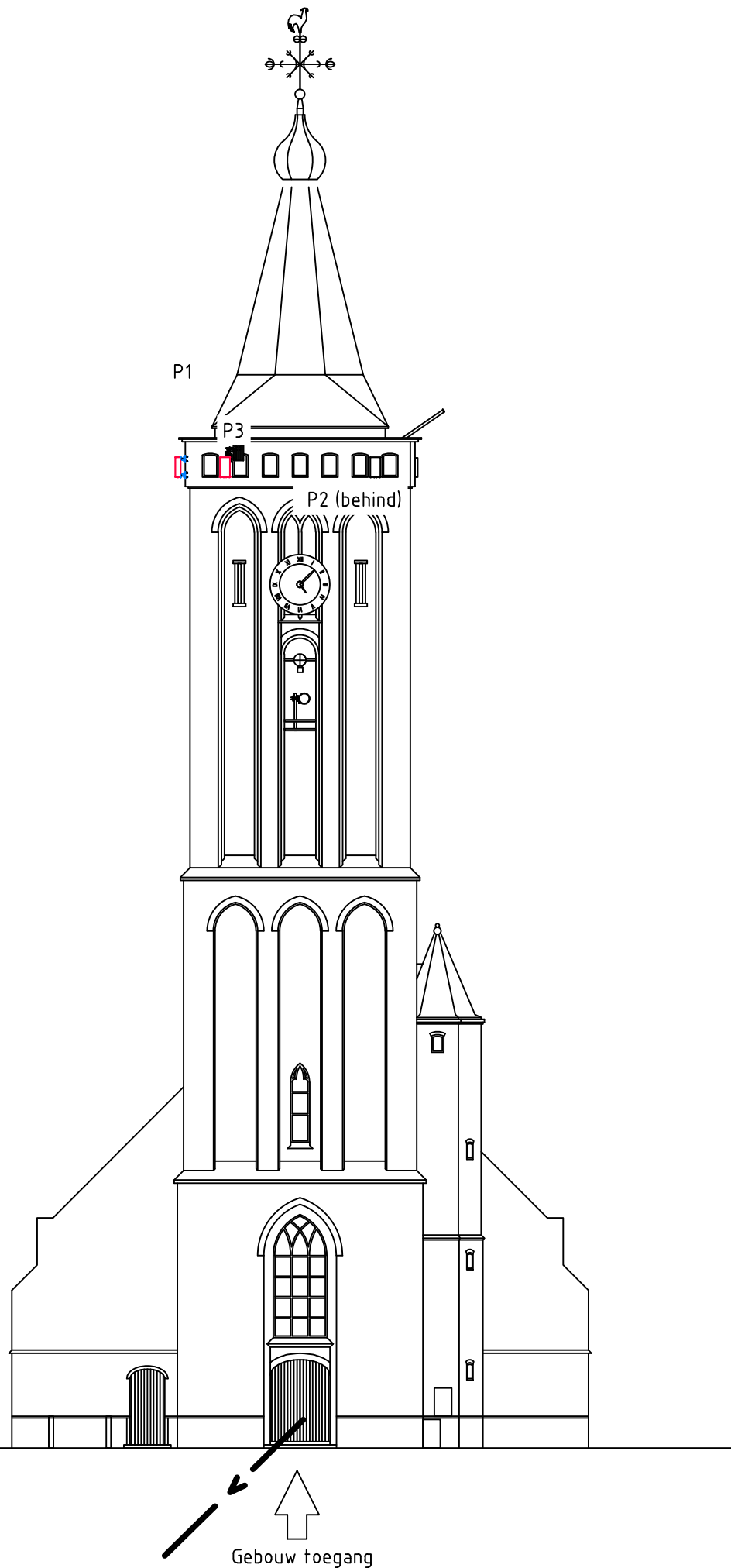
LEGEND	
	Nieuwe aarding
	Bestaande aarding
	Nieuw earth electrode
	bestaande earth electrode
	Nieuw pocket point
	bestaande pocket point
	Nieuw main earthing rail
	bestaande main earthing rail
	Nieuw secondary earthing rail
	bestaande secondary earthing rail

Title: NIEUW VOORAANZICHT			Standard detail: -		
Drawn by:	Date	Name/Company	Scale	Status:	EP
Checked by:	18-10-2019	MB/Dynamica	1:175	Project name:	5G-Ready
	-	Dynamica	Rev.No.	Project no.T:	N.000234.020
			1.2	Sheet no.:	7 / 16
	Location adress:			Location ID:	A3
	Kerkplein 191 3925 KV Scherpenzeel (GD)			T-Mobile: L000234	Projection
				Tele 2: 00000	



LEGEND	
	escape route
	Nieuw safety fence
	bestaande safety fence
	Nieuw r/w chain
	bestaande r/w chain
	4 meter safety zone
	2 meter safety zone

Title: H&S BOVENAANZICHT			Standard detail: -		
	Date	Name/Company	Scale	Status:	EP
Drawn by:	18-10-2019	MB/Dynamica	1:50	Project name:	5G-Ready
Checked by:	-	Dynamica	Rev.No.	Project no.T:	N.000234.020
			1.2	Sheet no.:	8 / 16
	Location adress:			Location ID:	A3
	Kerkplein 191			T-Mobile: L000234	Projection
	3925 KV Scherpenzeel (GD)			Tele 2: 00000	



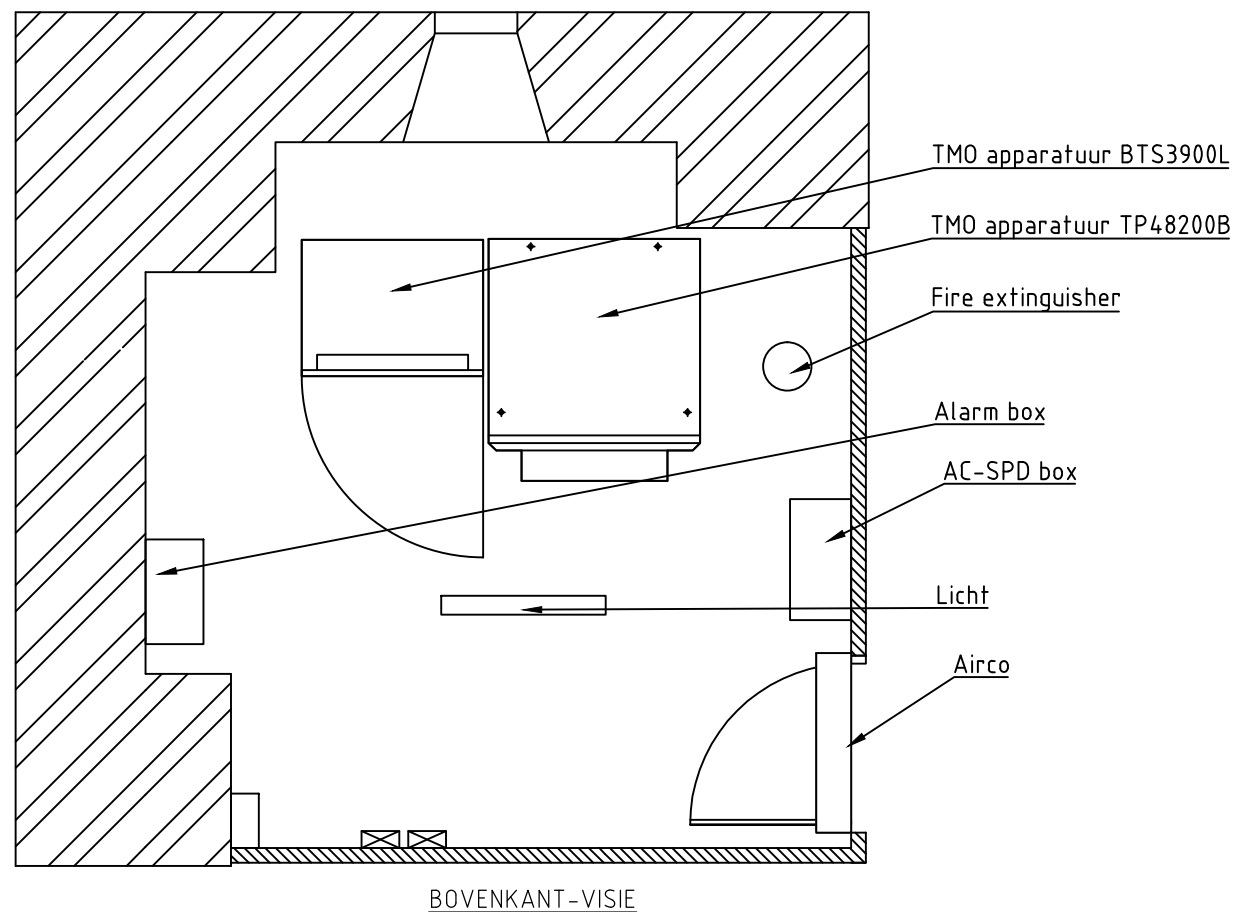
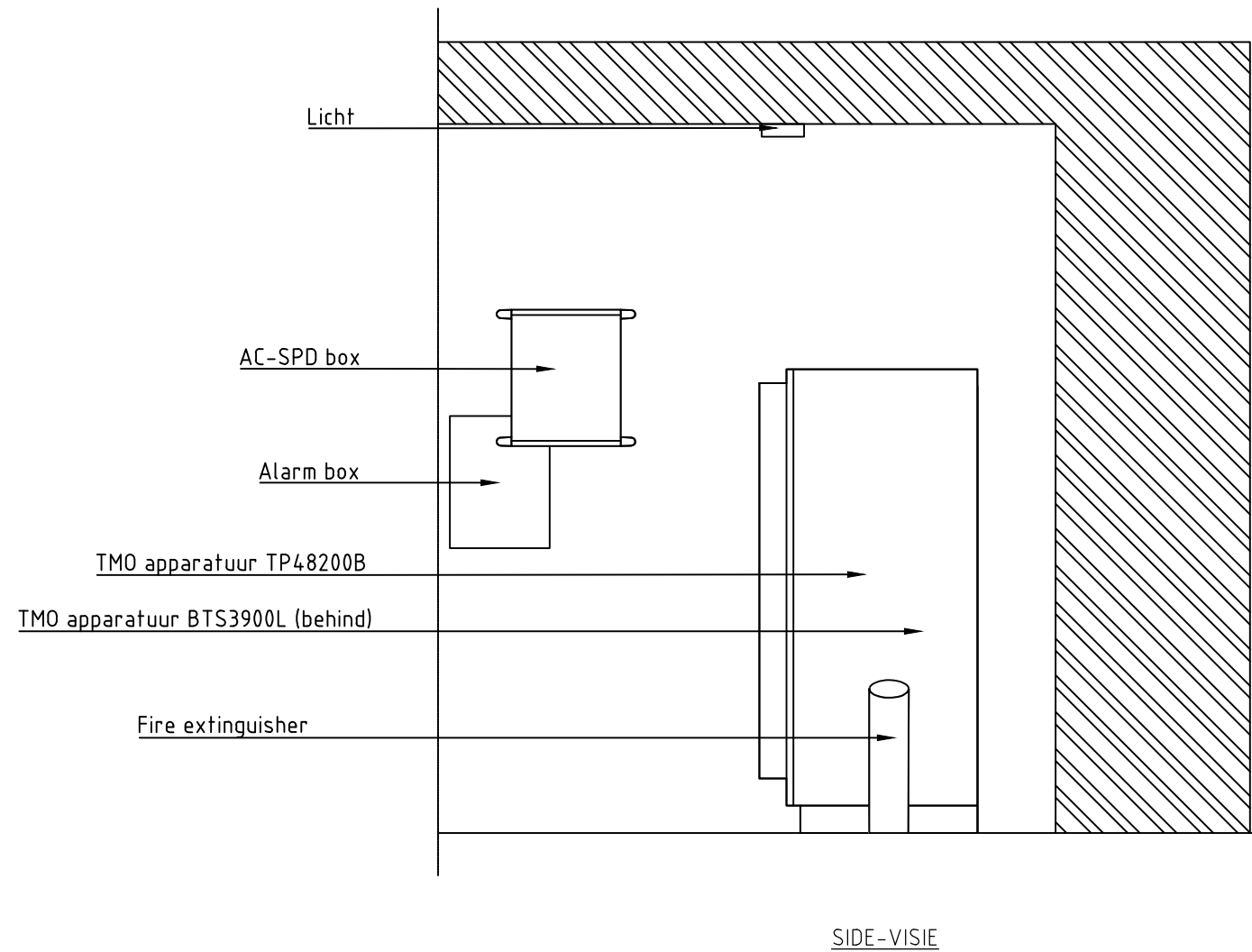
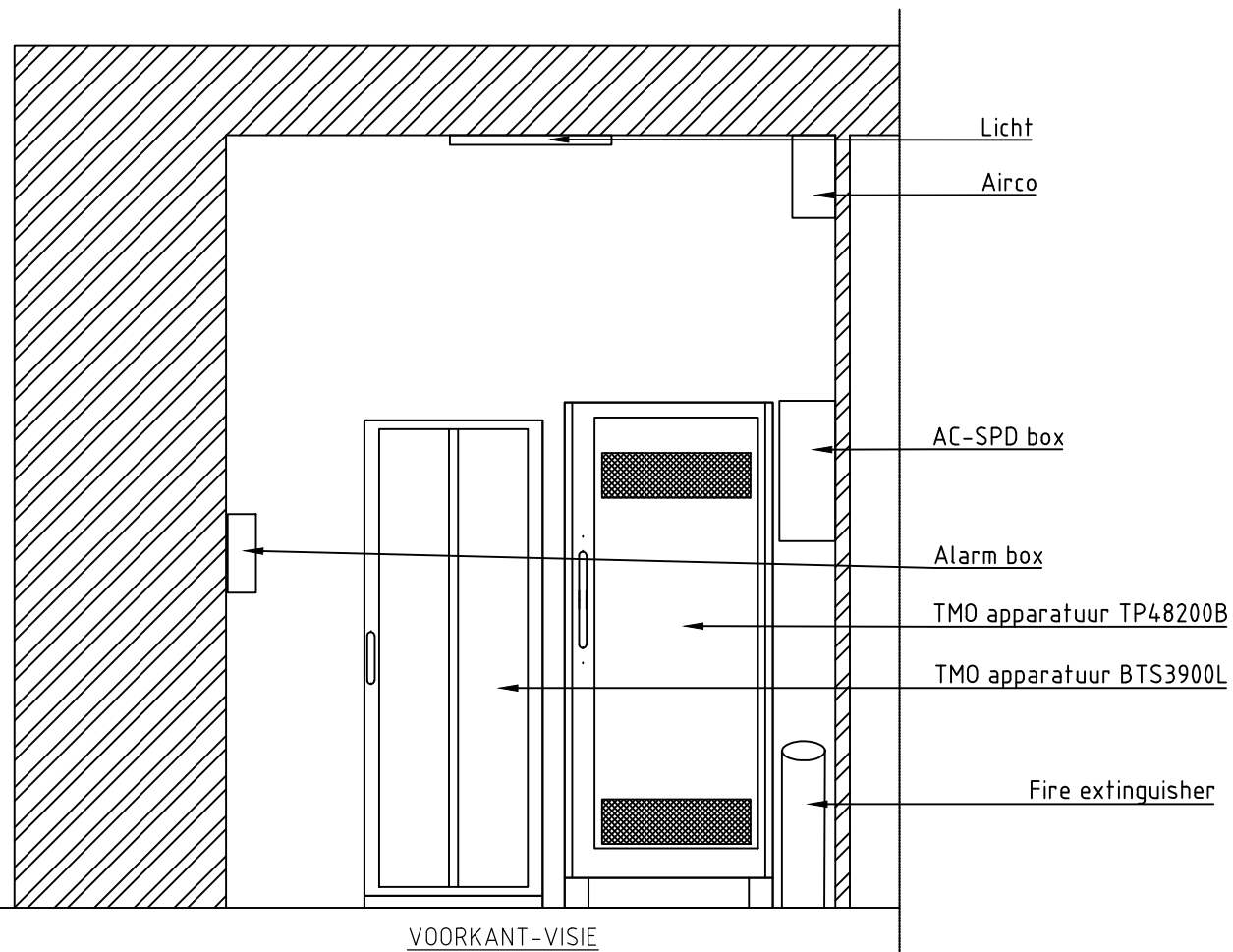
ABH TMO S1/S2/S3 900-1800-2100-2600 ▲29.00+


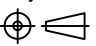
TMO DCH D1 ▼22.38+

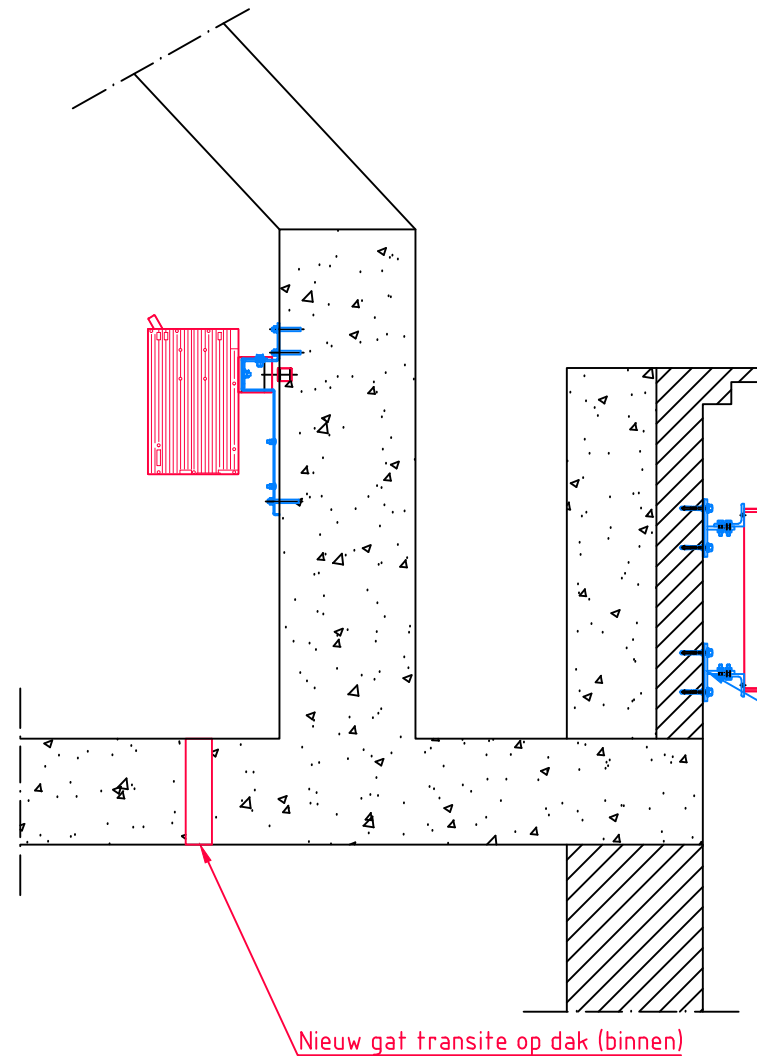
Groubd level ▼00.00+

LEGEND	
	escape route
	Nieuw safety fence
	bestaande safety fence
	Nieuw r/w chain
	bestaande r/w chain
	4 meter safety zone
	2 meter safety zone

Title: H&S VOORAAZICHT			Standard detail: -		
	Date	Name/Company	Scale	Status:	EP
Drawn by:	18-10-2019	MB/Dynamica	1:175	Project name:	5G-Ready
Checked by:	-	Dynamica	Rev.No.	Project no.T:	N.000234.020
			1.2	Sheet no.:	9 / 16
	Location adress: Kerkplein 191 3925 KV Scherpenzeel (GD)			Location ID:	A3
				T-Mobile: L000234	Projection
			Tele 2: 00000		



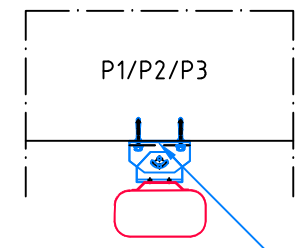
Title: UITRUSTING UITZICHT			Standard detail: -		
	Date	Name/Company	Scale	Status:	EP
Drawn by:	18-10-2019	MB/Dynamica	1:25	Project name:	5G-Ready
Checked by:	-	Dynamica	Rev.No.	Project no.T:	N.000234.020
			1.2	Sheet no.:	10/ 16
	Location adress:			Location ID:	A3
	Kerkplein 191 3925 KV Scherpenzeel (GD)			T-Mobile: L000234	Projection
				Tele 2: 00000	



Nieuw gat transite op dak (binnen)


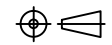
SIDE VISIE

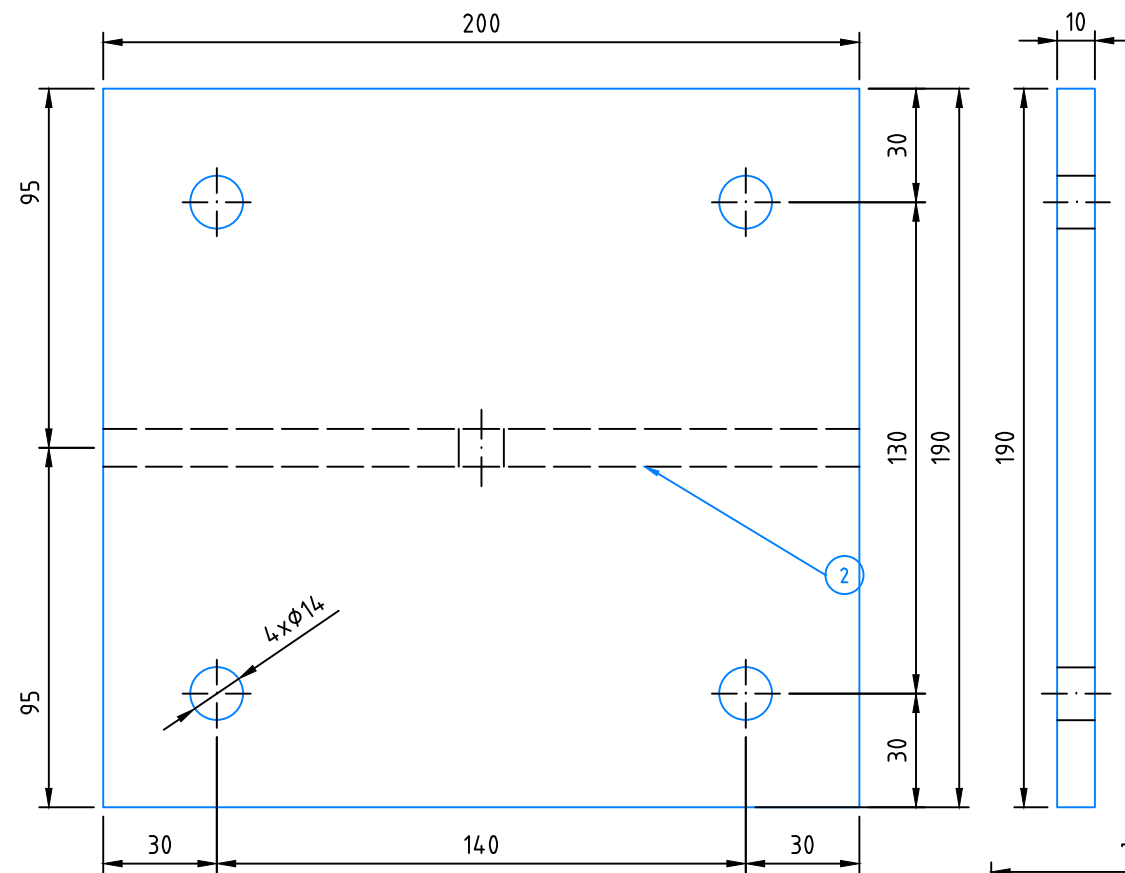
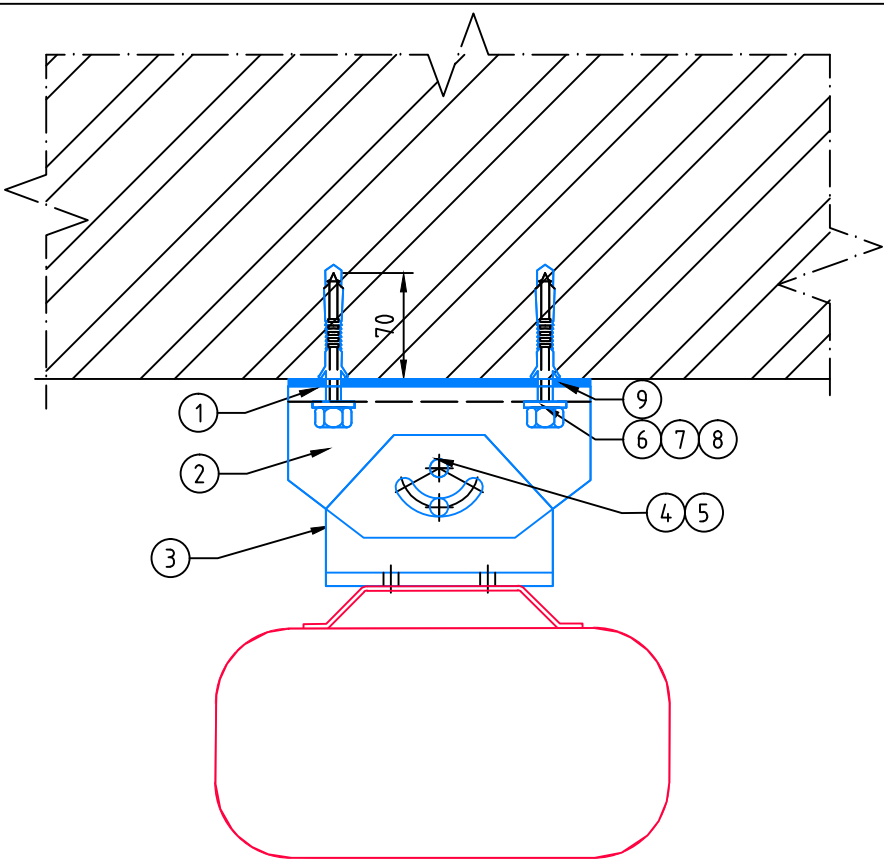
2x Nieuw MUUR BEUGEL
zie pagina 12



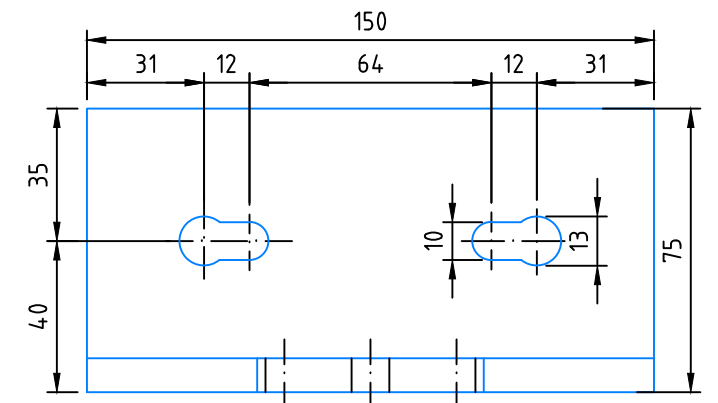
2x Nieuw MUUR BEUGEL
zie pagina 12

BOVENKANT VISIE

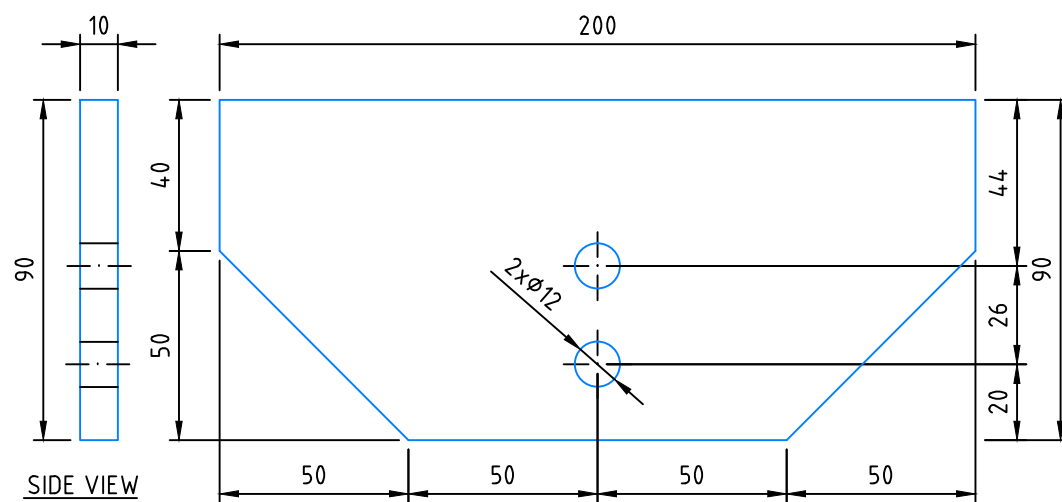
Title: OVERZICHT PAAL 1/2/3			Standard detail: -		
	Date	Name/Company	Scale	Status:	EP
Drawn by:	18-10-2019	MB/Dynamica	1:25	Project name:	5G-Ready
Checked by:	-	Dynamica	Rev.No.	Project no.T:	N.000234.020
			1.2	Sheet no.:	11 / 16
	Location adress:			Location ID:	A3
	Kerkplein 191			T-Mobile: L000234	Projection
	3925 KV Scherpenzeel (GD)			Tele 2: 00000	



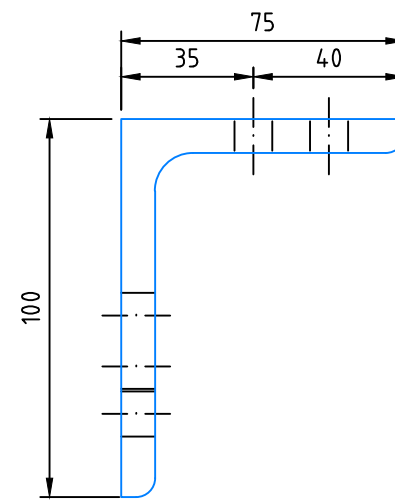
FRONT VIEW ①



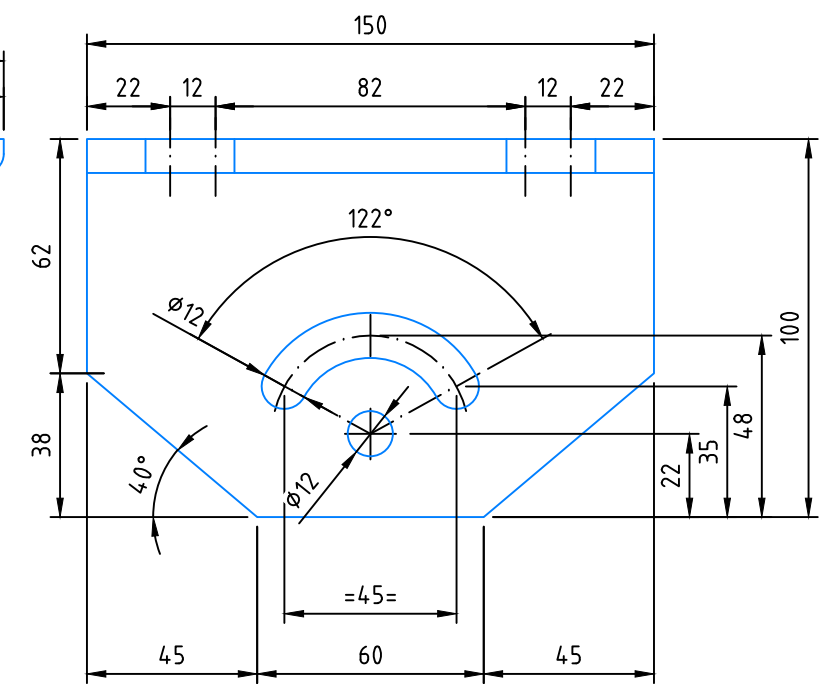
FRONT VIEW



FRONT VIEW ②



SIDE VIEW



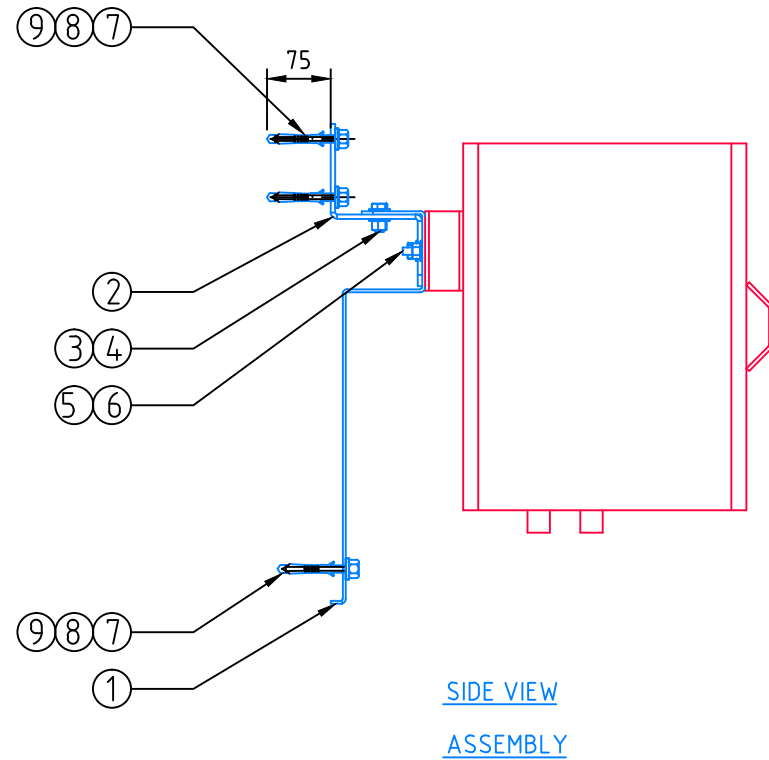
TOP VIEW ③

- BOUW 6x
- Material : S235JRG2
- All welds a=4mm, unless stated otherwise
- All steel hot dip galvanized

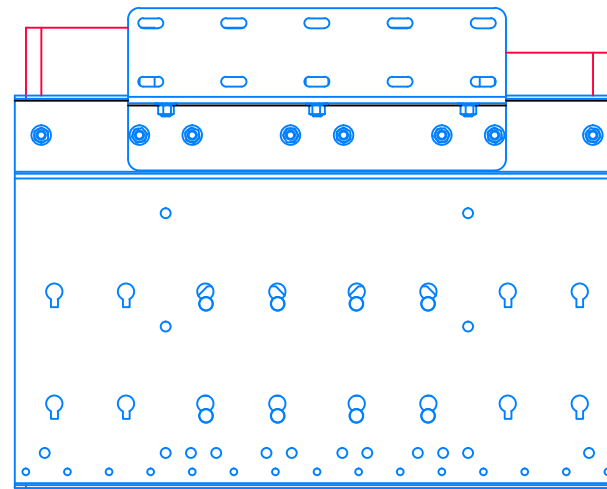
Total gross weight of steel:	Total 37.86 kg
NEN-1090 certificate number:	xxxx.xxx.xxx

Part	Quantity	Part description	Length	Material	Technical description notes
1	1	vlak 200x10	190 mm	S235 JRG2 THVZ	Weld to part 2
2	1	vlak 200x10	90 mm	S235 JRG2 THVZ	Weld to part 1
3	1	L100X75X10	150 mm	S235 JRG2 THVZ	
4	2	SB Bolt M10	40 mm	St. 8.8 THVZ	EN15048-1 (ISO4017/4032) ISO SB bolt + nut
5	4	Nordlock Washer M10	-	NL10sp	Nordlock Delta
6	4	Houtdraadbouten verzinkt M12x85	85 mm	DIN571 THVZ	Hexagonal head screw
7	4	Plugs M14x70	-	Polyamide 6	HUD-1 Plastic sleeve anchor
8	4	Nordlock Ring M12	-	S235 JRG2 THVZ	Nordlock Delta
9	1	vlak 160x5	190 mm	Neoprene	Nordlock Delta

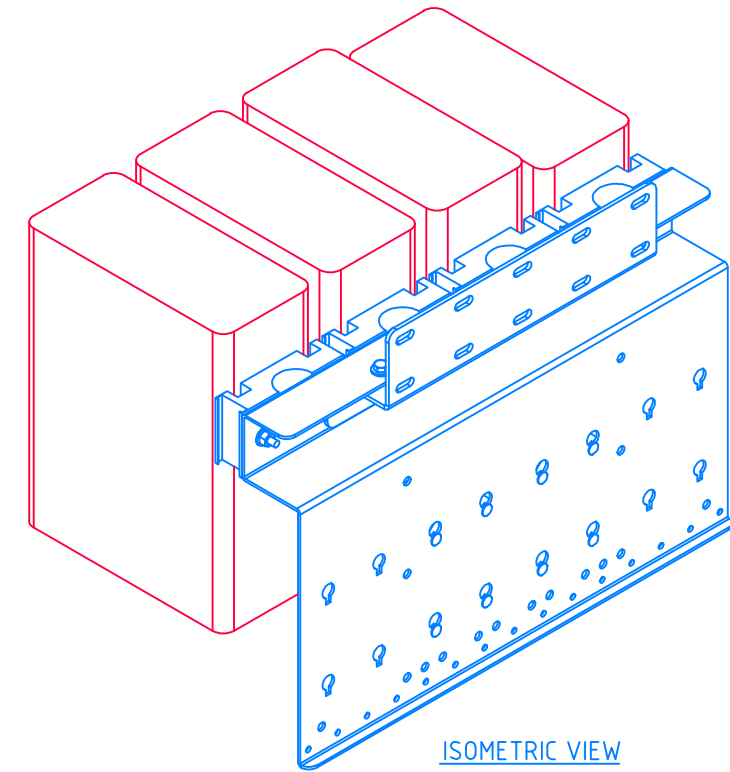
Title: MUUR BEUGEL			Standard detail: -		
Drawn by:	Date	Name/Company	Scale	Status:	EP
Checked by:	18-10-2019	MB/Dynamica	1:5/1:2	Project name:	5G-Ready
	-	Dynamica	Rev.No.	Project no.T:	N.000234.020
			1.2	Sheet no.:	12/ 16
	Location adress:			Location ID:	A3
	Kerkplein 191			T-Mobile: L000234	Projection
	3925 KV Scherpenzeel (GD)			Tele 2: 00000	



SIDE VIEW
ASSEMBLY



REAR VIEW



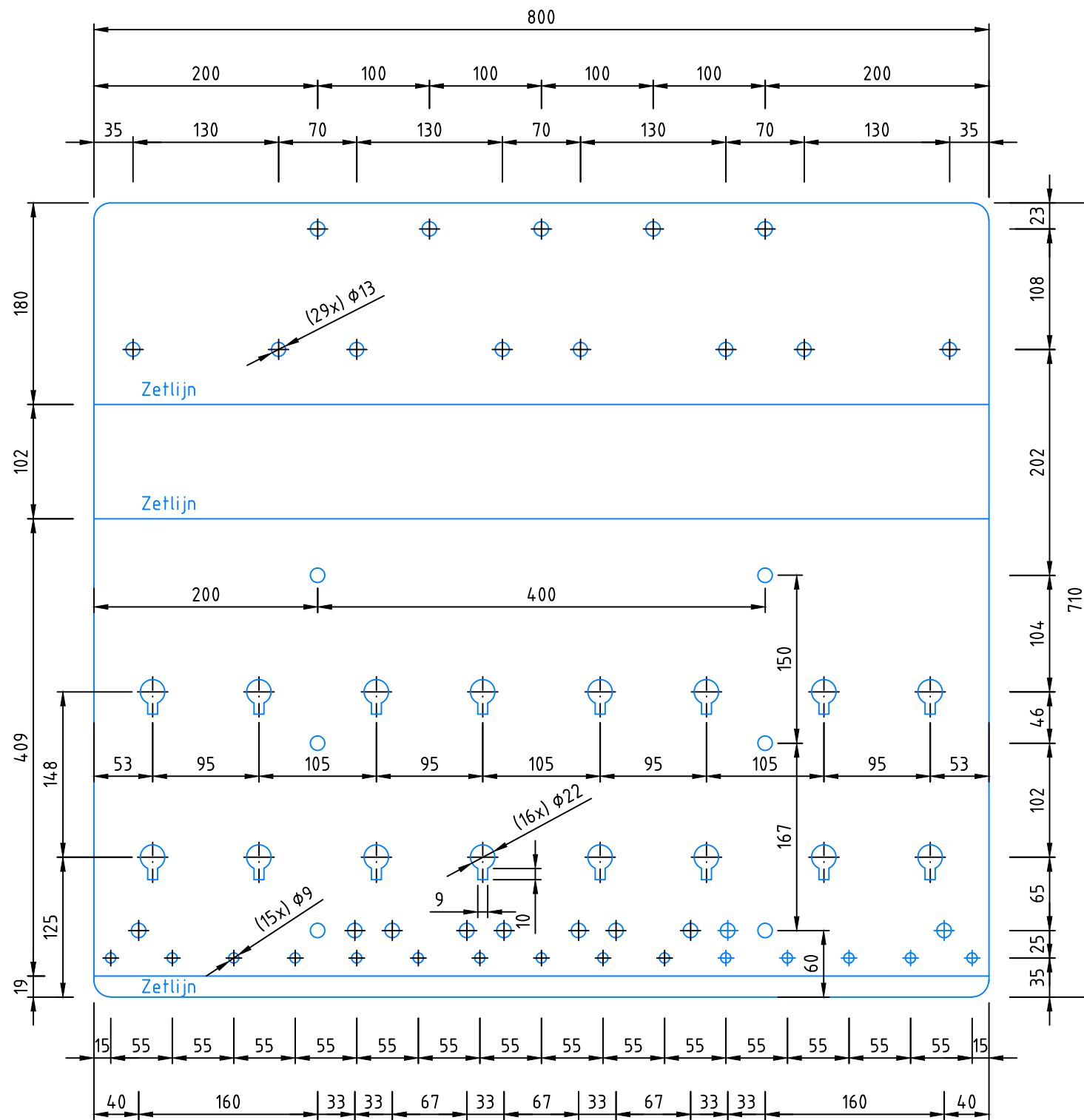
ISOMETRIC VIEW
(NOT TO SCALE)

- CONSTRUCTION 3x
- All welds a=5mm, unless stated otherwise
- All steel hot dip galvanized
- Nieuwsteel construction according to EXC2

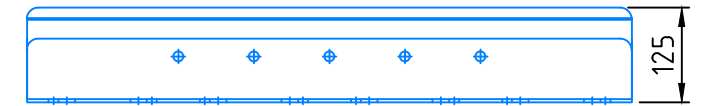
Total gross weight of steel:	75,97 kg
NEN-1090 certificate number:	xxxx.xxx.xxx

Part N°	Qty	Description	Length	Material	Notes description
1	1	PLATE 710 x 4	L=800mm	S235JR	3-RRU / Diplexer bracket
2	1	PLATE 325 x 6	L=500mm	S235JR	Adapter bracket
3	9	SB Bolting M12	L=35mm	St. 8.8 THVZ	EN15048-1 (ISO4071/4032) ISO SB bolt + nut
4	26	Nordlock Ring M12		St. delta protekt	NordLock Delta Lockring
5	8	SB Bolting M10	L=60mm	St. 8.8 THVZ	EN15048-1 (ISO4071/4032) ISO SB bolt + nut
6	16	Nordlock Ring M10		St. delta protekt	NordLock Delta Lockring
7	7	Houtdraadbouten verzinkt M12x90	L=90mm	DIN571 THVZ	Hexagonal head screw
8	7	Plugs M14x70		Polyamide 6	HUD-1 Plastic sleeve anchor
9	7	Nordlock Ring M12		S235 JRG2 THVZ	Nordlock Delta

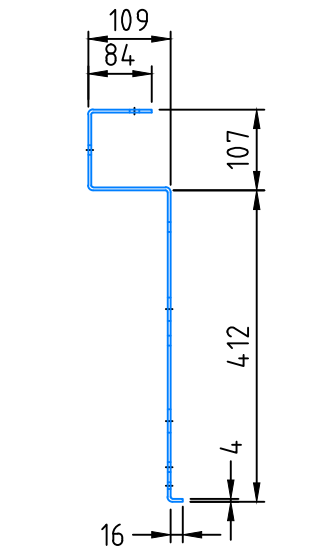
Title: 4xRRU BEUGEL			Standard detail: -		
Drawn by:	Date	Name/Company	Scale	Status:	EP
Checked by:	18-10-2019	MB/Dynamica	1:10	Project name:	5G-Ready
	-	Dynamica	Rev.No.	Project no.T:	N.000234.020
			1.2	Sheet no.:	13/ 16
	Location adress:			Location ID:	A3
	Kerkplein 191 3925 KV Scherpenzeel (GD)			T-Mobile: L000234	Projection
			Tele 2: 00000		



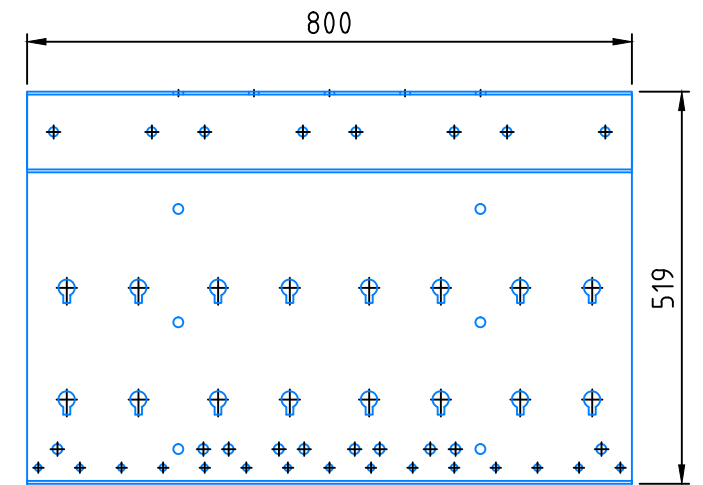
4-RRU / DIPLEXER BEUGEL
UITSLAG
Scale 1:5




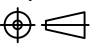
4-RRU / DIPLEXER BEUGEL
BOVENKANT VISIE
Scale 1:10

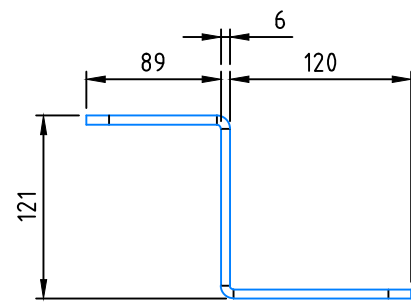
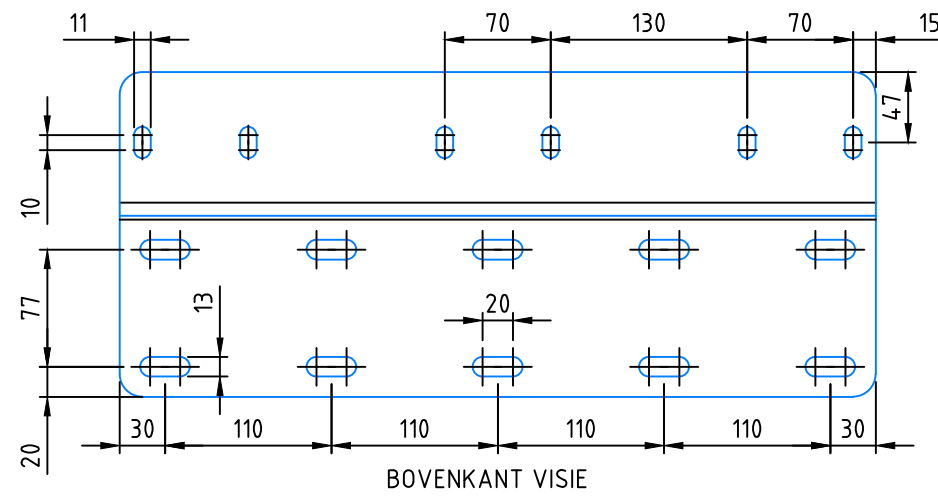


4-RRU / DIPLEXER BEUGEL
SIDE VISIE
Scale 1:10

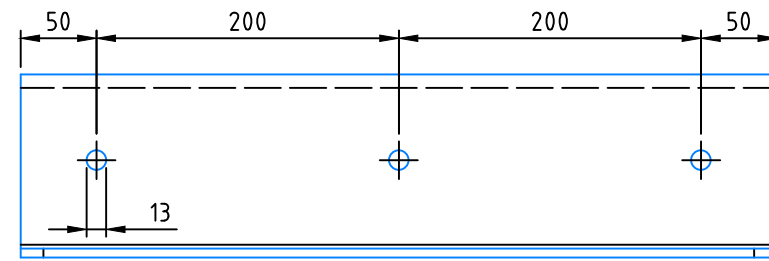


4-RRU / DIPLEXER BEUGEL
Voorraanzicht
Scale 1:10

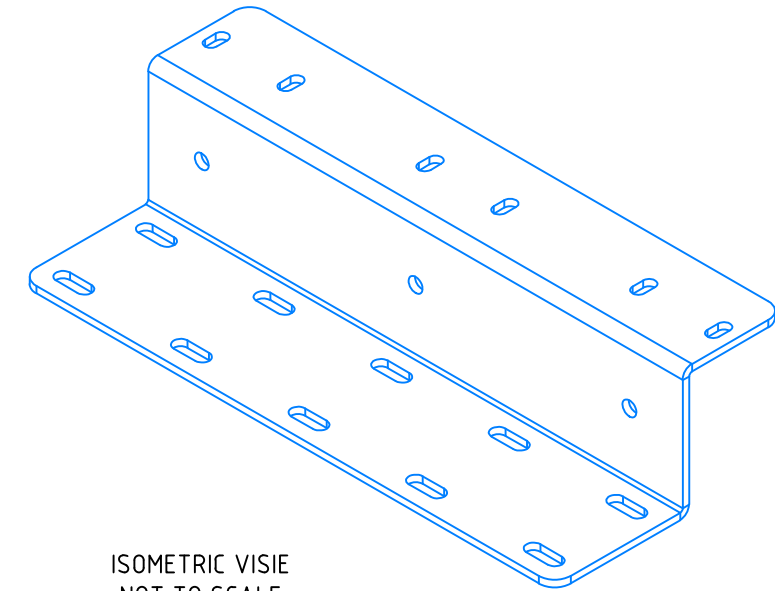
Title: 4xRRU BEUGEL & DIPLEXER BEUGEL		Standard detail: -			
Drawn by:	Date	Name/Company	Scale	Status:	EP
Checked by:	18-10-2019	MB/Dynamica	1:10/1:5	Project name:	5G-Ready
	-	Dynamica	Rev.No.	Project no.T:	N.000234.020
			1.2	Sheet no.:	14/ 16
	Location adress: Kerkplein 191 3925 KV Scherpenzeel (GD)			Location ID:	A3
				T-Mobile: L000234	Projection
			Tele 2: 00000		



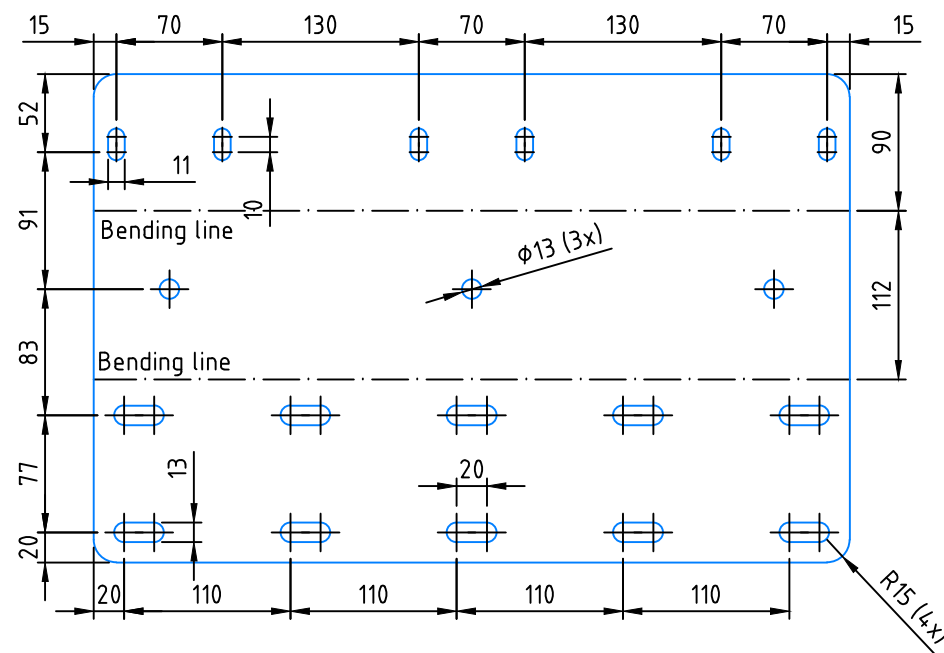
SIDE VISIE




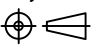
Voorraanzicht



ISOMETRIC VISIE
NOT TO SCALE



Wall mounting BEUGEL
UNFOLDED
SCALE 1:5

Title: ADAPTER BEUGEL		Standard detail: -			
Drawn by:	Date	Name/Company	Scale	Status:	EP
Checked by:	18-10-2019	MB/Dynamica	1:5/1:2.5	Project name:	5G-Ready
	-	Dynamica	Rev.No.	Project no.T:	N.000234.020
			1.2	Sheet no.:	15/ 16
	Location adress:			Location ID:	A3
	Kerkplein 191 3925 KV Scherpenzeel (GD)			T-Mobile: L000234	Projection
				Tele 2: 00000	


Current (not swapped) BOUWs present

Part	Quantity	Part description	Length	Remarks	Reference drawing name	Reference file
76	1	K1 SCHEME	-		K1 SCHEME - INTDOOR	TMNL-SCL-V1.2.dwg
73	1	AC SPD SCHEME	-		AC SPD SCHEME TYPE-E	TMNL-SCL-V1.2.dwg

GENERAL NOTE:

All reference drawings are contained in the TMNL Standard BOUW Library (SCL), available on T-Share. Always include the drawing file revision number in the parts list to avoid mismatch between items and versions.

In order to avoid Re-TSS for items/BOUWs which are not fully detailed in the EP (e.g. but not limited to: muur beugels, Dakpads, frame beams, etc.) the measurements of these parts should be contained in the drawings, proflow (pictures) or a combination of documents. As to guarantee transferability between parties in case of contract termination.

Title: ITEMS LIST			Standard detail: -		
	Date	Name/Company	Scale	Status:	EP
Drawn by:	18-10-2019	MB/Dynamica	1:5	Project name:	5G-Ready
Checked by:	-	Dynamica	Rev.No.	Project no.T:	N.000234.020
			1.2	Sheet no.:	16/ 16
	Location adress: Kerkplein 191 3925 KV Scherpenzeel (GD)			Location ID:	A3
				T-Mobile: L000234	Projection
			Tele 2: 00000	